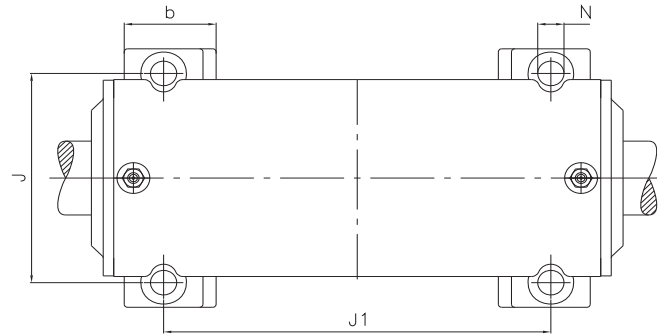
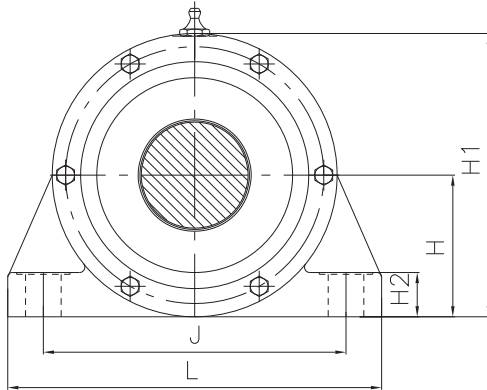


SOPORTES MONOBLOC

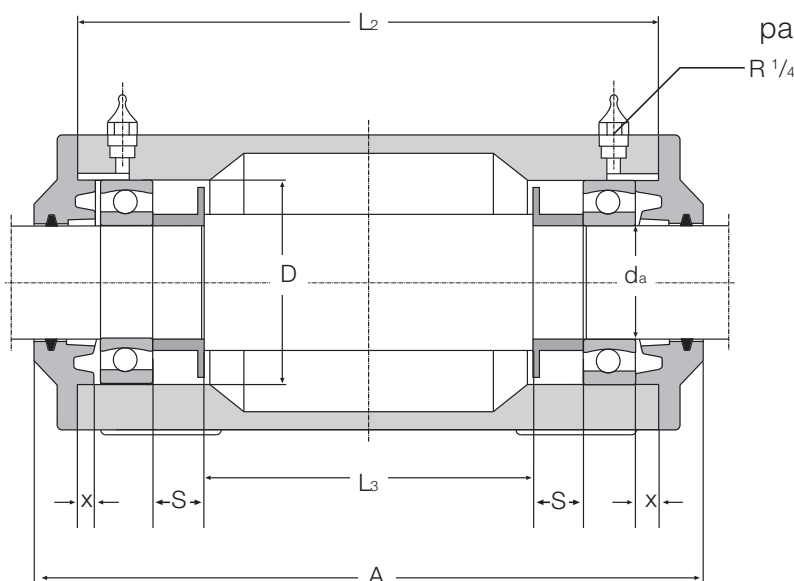
Serie BL

con discos reguladores de grasa
para rodamientos rígidos de bolas (sin
eje)



| Denominación Soporte | da | D | H | H ₁ | H ₂ | L mm | J | N | A | L ₂ | J ₁ | b |
|----------------------|-----|-----|-----|----------------|----------------|---------|-----|------|-----|----------------|----------------|-----|
| BL 25 | 25 | 62 | 50 | 95 | 16 | 155 | 120 | 11,5 | 218 | 184 | 135 | 41 |
| BL 30 | 30 | 72 | 50 | 100 | 18 | 170 | 130 | 15 | 300 | 266 | 210 | 50 |
| BL 35 | 35 | 80 | 60 | 120 | 20 | 190 | 150 | 15 | 330 | 296 | 240 | 50 |
| BL 40 | 40 | 90 | 60 | 120 | 20 | 190 | 150 | 15 | 330 | 296 | 240 | 50 |
| BL 40 S | 40 | 90 | 60 | 120 | 20 | 190 | 150 | 15 | 450 | 416 | 360 | 50 |
| BL 45 | 45 | 100 | 70 | 140 | 23 | 190 | 150 | 15 | 365 | 331 | 263 | 60 |
| BL 45/K | 45 | 100 | 70 | 140 | 28 | 200 | 160 | 16 | 260 | 226 | 165 | 64 |
| BL 45/H | 45 | 85 | 60 | 118 | 20 | 190 | 150 | 15 | 305 | 282 | 200 | 42 |
| BL 50 | 50 | 110 | 70 | 140 | 23 | 190 | 150 | 15 | 365 | 331 | 263 | 60 |
| BL 50 S | 50 | 110 | 70 | 140 | 23 | 190 | 150 | 15 | 550 | 516 | 448 | 60 |
| BLC 50 | 50 | 110 | 80 | 150 | 22 | 230 | 175 | 18 | 455 | 421 | 375 | 75 |
| BL 55 | 55 | 120 | 80 | 160 | 25 | 210 | 170 | 20 | 405 | 371 | 295 | 70 |
| BL 60 | 60 | 130 | 80 | 160 | 25 | 210 | 170 | 20 | 405 | 371 | 295 | 70 |
| BL 60 SS | 60 | 130 | 80 | 160 | 25 | 210 | 170 | 20 | 740 | 706 | 595 | 65 |
| BLC 60 | 60 | 130 | 95 | 175 | 25 | 260 | 200 | 20 | 515 | 481 | 420 | 75 |
| BLK 60 | 60 | 130 | 80 | 160 | 22 | 224 | 190 | 15 | 365 | 349 | 263 | 62 |
| BL 70 | 70 | 150 | 95 | 190 | 28 | 270 | 210 | 24 | 450 | 416 | 330 | 80 |
| BL 75 | 75 | 160 | 95 | 190 | 28 | 270 | 210 | 24 | 450 | 416 | 330 | 80 |
| BL 80 | 80 | 170 | 112 | 217 | 30 | 290 | 230 | 24 | 490 | 450 | 350 | 75 |
| BLK 80 | 80 | 170 | 105 | 210 | 30 | 300 | 250 | 20 | 395 | 375 | 295 | 70 |
| BLL 80 | 80 | 170 | 120 | 240 | 35 | 335 | 280 | 24 | 590 | 566 | 450 | 88 |
| BLK 90 | 90 | 190 | 120 | 240 | 35 | 355 | 280 | 24 | 440 | 416 | 330 | 78 |
| BLL 90 | 90 | 190 | 120 | 240 | 35 | 335 | 280 | 24 | 590 | 566 | 450 | 88 |
| BL 95 | 95 | 200 | 125 | 245 | 35 | 340 | 280 | 24 | 540 | 500 | 400 | 80 |
| BL 100 | 100 | 215 | 145 | 290 | 40 | 400 | 335 | 24 | 590 | 562 | 450 | 104 |
| BL 110 | 110 | 240 | 145 | 290 | 40 | 400 | 335 | 24 | 590 | 562 | 450 | 104 |

Serie BL
con discos reguladores de grasa
para rodamientos rígidos
de bolas (sin eje)

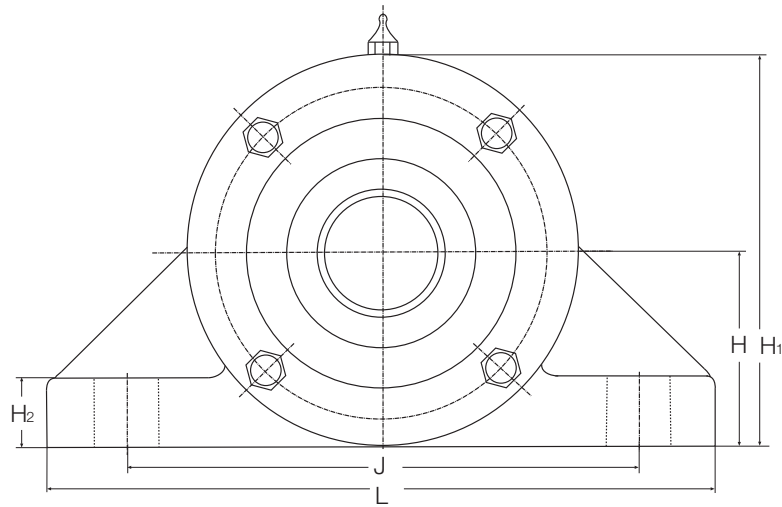


Ejes con chavetas de ajuste según DIN 6885, Hoja 1,
Finales de eje con rosca forma D según DIN 332, Hoja 2
Medida L₃ sin contemplación del disco compensador

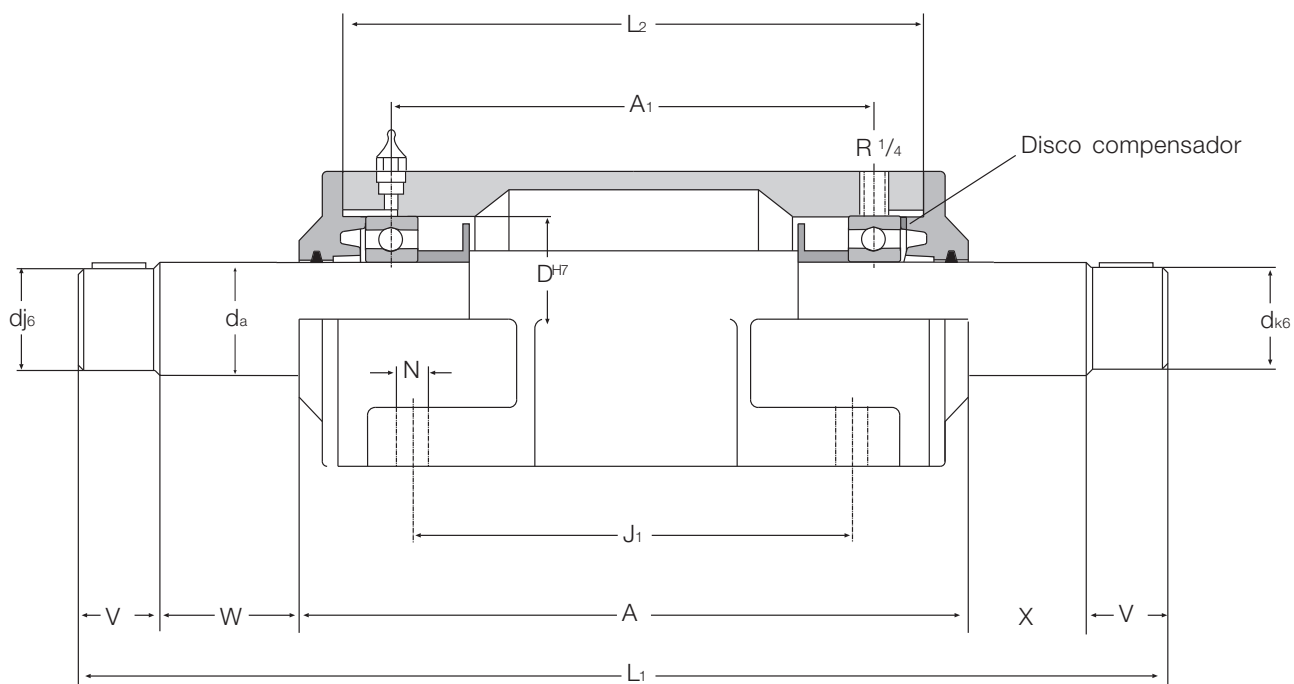
| Denominación Soporte | Rodamientos adecuados | Peso en kg | Disco compensador | Revoluciones permitidas min-1 | Cantidad de grasa (g) | | | s | x | L ₃ |
|-------------------------|--------------------------|---------------|----------------------|-------------------------------------|-----------------------|------------------|----|----|-----|----------------|
| | | | | | primer llenado | re- engrasado | | | | |
| BL 25 | 6305 | 6,5 | AS 62 | 11000 | 50 | - | 14 | 7 | 108 | |
| BL 30 | 6306 | 8 | AS 72 | 9000 | 60 | 5 | 14 | 7 | 186 | |
| BL 35 | 6307 | 9 | AS 80 | 8500 | 80 | 5 | 16 | 7 | 208 | |
| BL 40 | 6308 | 10 | AS 90 | 7500 | 110 | 10 | 16 | 7 | 204 | |
| BL 40 S | 6308 | 16 | AS 90 | 7500 | 110 | 10 | 16 | 7 | 324 | |
| BL 45 | 6309 | 14 | AS 100 | 6700 | 140 | 10 | 16 | 7 | 235 | |
| BL 45/K | 6309 | 12 | AS 100 | 6700 | 140 | 10 | 16 | 7 | 130 | |
| BL 45/H | 6209 | 14 | AS 85 | 7500 | 120 | 10 | 8 | 15 | 198 | |
| BL 50 | 6310 | 13 | AS 110 | 6300 | 190 | 10 | 16 | 7 | 231 | |
| BL 50 S | 6310 | 21 | AS 110 | 6300 | 190 | 10 | 16 | 7 | 416 | |
| BLC 50 | 6310 | 15 | AS 110 | 6300 | 190 | 10 | 16 | 7 | 321 | |
| BL 55 | 6311 | 22 | AS 120 | 5600 | 240 | 15 | 16 | 6 | 269 | |
| BL 60 | 6312 | 21 | AS 130 | 5000 | 300 | 15 | 16 | 6 | 265 | |
| BL 60 SS | 6312 | 35 | AS 130 | 5000 | 300 | 15 | 16 | 6 | 600 | |
| BLC 60 | 6312 | 25 | AS 130 | 5000 | 300 | 15 | 16 | 6 | 375 | |
| BLK 60 | 6312 | 21 | AS 130 | 5000 | 300 | 15 | 16 | 12 | 231 | |
| BL 70 | 6314 | 31 | AS 150 | 4500 | 480 | 20 | 20 | 6 | 294 | |
| BL 75 | 6315 | 32 | AS 160 | 4300 | 590 | 20 | 20 | 6 | 290 | |
| BL 80 | 6316 | 50 | AS 170 | 3800 | 700 | 20 | 20 | 6 | 320 | |
| BLK 80 | 6316 | 44 | AS 170 | 3800 | 700 | 20 | 20 | 15 | 227 | |
| BLL 80 | 6316 | 75 | AS 170 | 3800 | 700 | 20 | 20 | 16 | 416 | |
| BLK 90 | 6318 | 64 | AS 190 | 3400 | 1000 | 25 | 20 | 16 | 258 | |
| BLL 90 | 6318 | 85 | AS 190 | 3400 | 1000 | 25 | 20 | 16 | 408 | |
| BL 95 | 6319 | 60 | AS 200 | 3200 | 1150 | 30 | 25 | 6 | 348 | |
| BL 100 | 6320 | 95 | AS 215 | 3000 | 1450 | 35 | 25 | 16 | 386 | |
| BL 110 | 6322 | 86 | AS 240 | 2600 | 1900 | 40 | 25 | 16 | 380 | |

SOPORTES MONOBLOC

Serie BL ...KPL
completo con eje y rodamientos



| Denom. Soporte | d_a | d | L_1 | V | W | X | A | A_1 | L_2 | J_1 | J | L | H | H_1 | H_2 | N |
|-------------------|-------|-----|-------|---------|-----|-----|-----|-------|-------|-------|-----|-----|-----|-------|-------|------|
| BL 25 KPL | 25 | 24 | 358 | 50 | 21 | 19 | 218 | 151 | 184 | 135 | 120 | 155 | 50 | 195 | 16 | 11,5 |
| BL 30 KPL | 30 | 28 | 470 | 50 | 50 | 20 | 300 | 231 | 266 | 210 | 130 | 170 | 50 | 100 | 18 | 15,0 |
| BL 35 KPL | 35 | 32 | 530 | 60 | 55 | 25 | 330 | 259 | 296 | 240 | 150 | 190 | 60 | 120 | 20 | 15,0 |
| BL 40 KPL | 40 | 38 | 530 | 60 | 55 | 25 | 330 | 257 | 296 | 240 | 150 | 190 | 60 | 120 | 20 | 15,0 |
| BL 45 KPL | 45 | 42 | 575 | 65 | 55 | 25 | 365 | 290 | 331 | 263 | 150 | 190 | 70 | 140 | 23 | 15,0 |
| BL 50 KPL | 50 | 48 | 585 | 70 | 55 | 25 | 365 | 288 | 331 | 263 | 150 | 190 | 70 | 140 | 23 | 15,0 |
| BL 55 KPL | 55 | 50 | 645 | 80 | 55 | 25 | 405 | 328 | 371 | 295 | 170 | 210 | 80 | 160 | 25 | 20,0 |
| BL 60 KPL | 60 | 55 | 645 | 80 | 55 | 25 | 405 | 326 | 371 | 295 | 170 | 210 | 80 | 160 | 25 | 20,0 |
| BL 70 KPL | 70 | 65 | 755 | 110 | 60 | 25 | 450 | 367 | 416 | 330 | 210 | 270 | 95 | 190 | 28 | 24,0 |
| BL 75 KPL | 75 | 70 | 755 | 110 | 60 | 25 | 450 | 365 | 416 | 330 | 210 | 270 | 95 | 190 | 28 | 24,0 |
| BL 80 KPL | 80 | 75 | 805 | 110 | 70 | 25 | 490 | 396 | 450 | 350 | 230 | 290 | 112 | 217 | 30 | 24,0 |
| BLL 80 KPL | 80 | 75 | 935 | 120 | 80 | 25 | 590 | 492 | 566 | 450 | 280 | 335 | 120 | 240 | 35 | 24,0 |
| BLL 90 KPL | 90 | 85 | 935 | 120 | 80 | 25 | 590 | 488 | 566 | 450 | 280 | 335 | 120 | 240 | 35 | 24,0 |
| BLK 100 KPL | 100 | 90 | 985 | 120/170 | 80 | 25 | 590 | 480 | 562 | 450 | 335 | 400 | 145 | 290 | 40 | 24,0 |
| BLK 110 KPL | 110 | 100 | 985 | 120/170 | 80 | 25 | 590 | 480 | 562 | 450 | 335 | 400 | 145 | 290 | 40 | 24,0 |



Ejes con chavetas de ajuste según DIN 6885, Hoja 1,
 Finales de eje con rosca forma D según DIN 332, Hoja 2

| Rodamientos montados | D | Disco compensador | Cant. de grasa (g) por rod. en reengrase | máx. revoluciones min ⁻¹ | Peso en kg |
|----------------------|-----|-------------------|--|-------------------------------------|------------|
| 6305 C3 KPL | 62 | AS 62 | 5 | 11000 | 9 |
| 6306 C3 KPL | 72 | AS 72 | 5 | 9500 | 12 |
| 6307 C3 KPL | 80 | AS 80 | 5 | 8500 | 17 |
| 6308 C3 KPL | 90 | AS 90 | 10 | 7500 | 18 |
| 6309 C3 KPL | 100 | AS 100 | 10 | 6700 | 28 |
| 6310 C3 KPL | 110 | AS 110 | 15 | 5300 | 37 |
| 6311 C3 KPL | 120 | AS 120 | 15 | 5300 | 37 |
| 6312 C3 KPL | 130 | AS 130 | 15 | 5000 | 39 |
| 6314 C3 KPL | 150 | AS 150 | 20 | 4300 | 63 |
| 6315 C3 KPL | 160 | AS 160 | 20 | 4000 | 64 |
| 6316 C3 KPL | 170 | AS 170 | 20 | 3800 | 84 |
| 6316 C3 KPL | 170 | AS 170 | 20 | 3400 | 132 |
| 6318 C3 KPL | 190 | AS 190 | 25 | 3400 | 134 |
| 6320 C3 KPL | 215 | AS 215 | 35 | 3000 | 198 |
| 6322 C3 KPL | 240 | AS 240 | 40 | 2600 | 196 |