



BTL Plummer Block Housings

BTL Plummer Block Housings are manufactured from material GS45. Material quality GGG or GG is also possible, on request. These housings are split and suitable for fitting spherical roller bearings with cylindrical bore or with adapter sleeves. Depending on requirements these housings are supplied as either locating or floating bearings.

These housings are equipped with double labyrinth seals at both ends and designed for grease lubrication. For necessary regreasing, two grease holes are incorporated midway between the bearings. The labyrinth seals can also be supplied with separate grease holes if required.

STL Drum Take-up Bearing Housings

STL Plummer Block Housings are manufactured from material GS45. Material quality GGG or GG is also possible on request. These housings are split and designed for fitting spherical roller bearings with cylindrical bore or with adapter sleeves. Depending on requirements these housings are supplied as either locating or floating bearings.

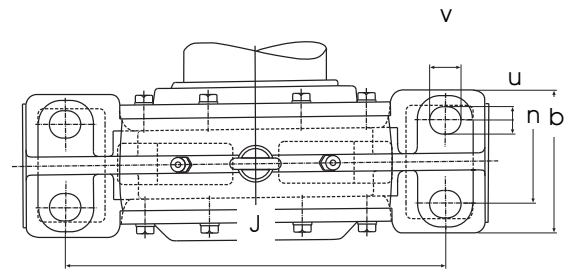
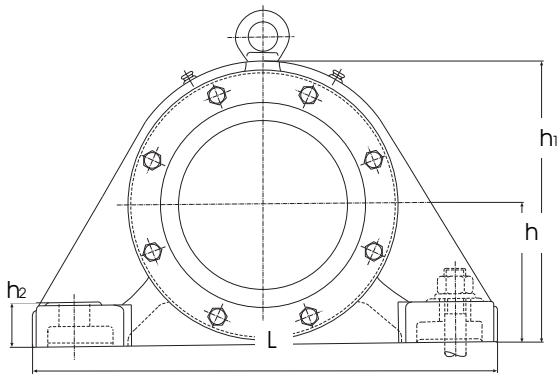
HFB Drum Take-up Bearing Housings are equipped with double labyrinth seals at both ends and designed for grease lubrication. For necessary regreasing, two grease holes are incorporated midway between the bearings. The labyrinth seals can also be supplied with separate grease holes if required.

Where used as an end bearing housing (Arrangement A) a cast end cover is fitted instead of the labyrinth cover

Plummer Block Bearing Housing

Series BTL

for spherical roller bearings with adapter sleeve

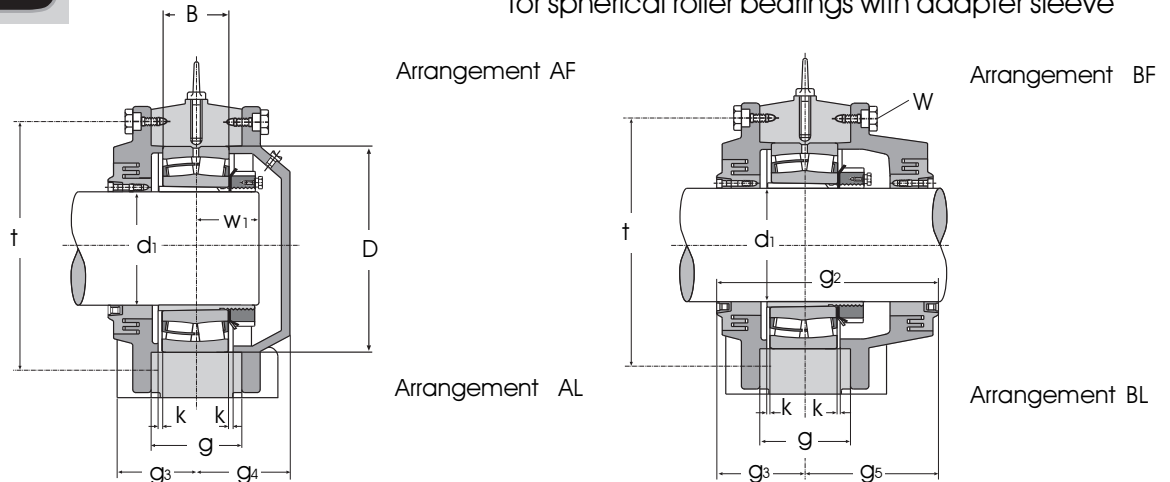


Housing Ref No	d ₁	L	b	h ₂	J	n	h	h ₁ mm	u	v	g ₂	g ₄	g ₃	g ₅	g
BTL 2211 K	50	250	80	25	200	40	80	160	15	20	109	35	49	60	50
BTL 2213 K	60	300	100	32	240	50	90	180	19	26	113	48	48	65	50
BTL 2215 K	65	280	80	30	230	40	95	185	19	25	110	45	50	60	50
BTL 2216 K	70	320	100	35	250	55	100	200	23	32	145	58	67	78	60
BTL 2218 K	80	370	110	38	290	60	110	220	23	32	123	51	53	70	55
BTL 2220 K	90	400	120	40	320	65	130	255	30	35	168	63	78	90	65
BTL 3122 K	100	400	150	40	300	80	130	263	25	35	171	83	78	93	80
BTL 2222 K		440	130	42	350	70	140	280	30	35	177	66,5	82,5	94,5	73
BTL 3222 K		440	130	42	350	70	140	280	30	35	194	75	91	103	90
BTL 3024 K	110	370	110	35	300	60	115	230	23	35	146	63	63	83	60
BTL 3124 K		410	150	40	330	80	140	280	25	35	175	75	75	100	85
BTL 2224 K		470	140	42	370	75	150	300	30	35	183	69	84	99	77
BTL 3224 K		470	140	42	370	75	150	300	30	35	201	78	93	108	95
BTL 3026 K	115	410	120	38	340	60	130	260	23	35	156	65	68	88	70
BTL 3126 K		430	150	40	350	80	145	295	25	35	190	85	85	105	90
BTL 2226 K		500	150	45	400	85	160	315	30	40	195	70	95	100	84
BTL 3226 K		500	150	45	400	85	160	315	30	40	211	78	103	108	100
BTL 3028 K	125	430	130	40	360	70	140	275	30	35	156	68	68	88	70
BTL 3128 K		470	160	45	380	85	155	315	23	33	198	95	87	111	95
BTL 2228 K		530	160	50	430	85	170	345	30	42	206	78	98	108	88
BTL 3228 K		530	160	50	430	85	170	345	30	42	226	88	108	118	110
BTL 3030 K	135	455	140	42	370	80	145	290	30	35	176	71	78	98	80
BTL 3130 K		580	200	60	450	110	170	345	30	54	207	93,5	93,5	113,5	102
BTL 2230 K		550	170	54	450	90	180	365	36	45	213	81,5	101,5	111,5	97
BTL 3230 K		550	170	54	450	90	180	365	36	45	236	93	113	123	120
BTL 3032 K	140	480	150	45	390	90	155	310	30	35	181	78	78	103	85
BTL 3132 K		540	200	55	430	110	180	360	30	40	232	107	103	129	110
BTL 2232 K		600	180	58	490	105	190	385	36	45	227	86	106	121	106
BTL 3232 K		600	180	58	490	105	190	385	36	45	251	98	118	133	130
BTL 3034 K	150	510	160	50	420	95	165	330	36	45	191	83	83	108	90
BTL 3134 K		570	200	55	470	110	190	380	36	45	249	113	113	136	120
BTL 2234 K		640	200	62	525	110	200	405	36	45	247	91	116	131	111
BTL 3234 K		640	200	62	525	110	200	405	36	45	271	103	128	143	135

Plummer Block Bearing Housing

Series BTL

for spherical roller bearings with adapter sleeve

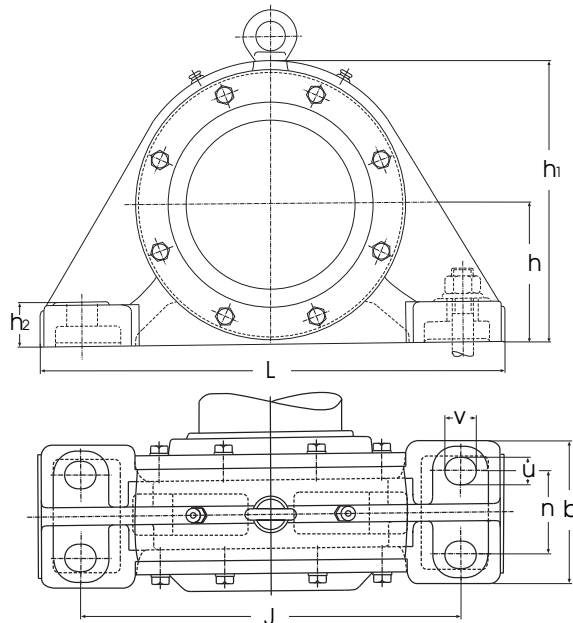


Matching Bearing Ref	Bearing Dimensions		Mounting Bolts		Eye Bolt	Overall Dimensions			Weight with Bearing kg	Sleeve
	D	B	W	Anzahl		t	k	W ₁		
22211 K	100	25	M8	12	M8	122	2	27	18	H 311
22213 K	120	31	M8	16	M8	156	2	32	22	H 313
22215 K	130	31	M8	16	M8	150	2	33	28	H 315
22216 K	140	33	M8	16	M8	155	2	36	31	H 316
22218 K	160	40	M8	12	M10	185	2	42	50	H 318
22220 K	180	46	M12	12	M12	205	2,5	50	55	H 320
23122 K	180	56	M12	16	M12	215	2,5	63	48	H 3122
22222 K	200	53	M12	12	M16	230	2,5	54	60	H 3222
23222 K	200	69,8	M12	12	M16	230	2,5	60	48	H 2322
23024 K	180	46	M10	12	M12	200	2,5	48	31	H 3024
23124 K	200	62	M12	16	M12	230	2,5	55	60	H 3124
22224 K	215	58	M12	12	M16	245	2,5	56	70	H 3124
23224 K	215	76	M12	12	M16	245	2,5	63	55	H 2324
23026 K	200	52	M10	16	M12	225	2	50	39	H 3026
23126 K	210	64	M12	16	M12	240	3	65	68	H 3126
22226 K	230	64	M12	12	M16	260	3	57	80	H 3126
23226 K	230	80	M12	12	M16	260	3	65	70	H 2326
23028 K	210	53	M10	16	M12	235	3	53	45	H 3028
23128 K	225	68	M12	16	M16	260	3	74	75	H 3128
22228 K	250	68	M16	12	M20	285	3	64	95	H 3128
23228 K	250	88	M16	12	M20	285	3	72	90	H 2328
23030 K	225	56	M12	16	M12	250	2	55	52	H 3030
23130 K	250	80	M12	16	M16	285	2	90	95	H 3130
22230 K	270	73	M16	12	M20	305	3	68	110	H 3130
23230 K	270	96	M16	12	M20	305	3	80	105	H 2330
23032 K	240	60	M12	16	M12	265	2	60	65	H 3032 HG
23132 K	270	86	M12	16	M12	310	3	86	110	H 3132 HG
22232 K	290	80	M16	12	M20	330	3	72	130	H 3132 HG
23232 K	290	104	M16	12	M20	330	3	85	130	H 2332 HG
23034 K	260	67	M12	16	M12	285	2	65	75	H 3034 HG
23134 K	280	88	M12	16	M16	330	3	90	130	H 3134 HG
22234 K	310	86	M16	16	M20	345	3	77	145	H 3134 HG
23234 K	310	110	M16	16	M20	345	3	88	170	H 2334 HG

Plummer Block Bearing Housing

Series BTL

for spherical roller bearings with adapter sleeve

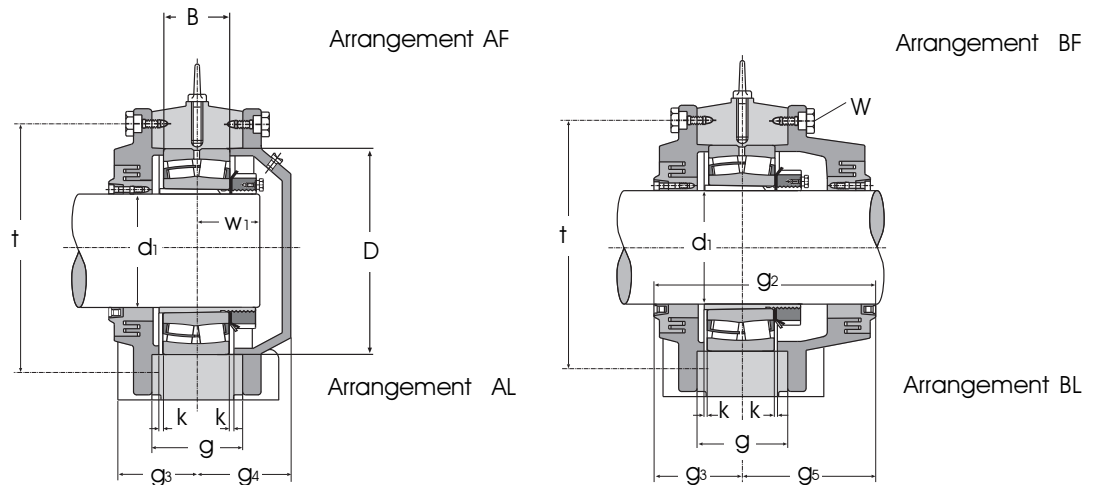


Housing Ref No	d ₁	L	b	h ₂	J	n	h	h ₁	u	v	g ₂	g ₄	g ₃	g ₅	g
								mm							
BTL 3036 K	160	540	170	52	450	100	180	360	36	45	201	88	88	113	100
BTL 3136 K		600	200	58	490	105	200	395	36	45	250	105	115	135	125
BTL 2236 K		680	210	65	550	120	210	425	36	45	255	95	120	135	114
BTL 3236 K		680	210	65	550	120	210	425	36	45	285	110	135	150	140
BTL 3038 K	170	570	180	55	480	105	185	370	36	45	211	88	93	118	105
BTL 3138 K		680	210	65	550	120	210	425	36	45	266	113	123	143	130
BTL 2238 K		710	220	85	560	120	220	455	36	45	275	105	130	145	135
BTL 3238 K		710	220	85	560	120	220	455	36	45	291	113	138	153	150
BTL 3040 K	180	600	190	60	510	110	200	400	36	45	226	98	98	128	110
BTL 3140 K		710	220	85	560	120	220	455	42	52	276	118	128	148	135
BTL 2240 K		780	240	75	640	140	235	475	36	50	270	105	125	145	135
BTL 3240 K		780	240	75	640	140	235	475	42	52	296	118	138	158	165
BTL 3044 K	200	640	200	65	540	115	215	430	42	52	241	103	103	138	115
BTL 3144 K		780	240	75	640	140	235	475	42	52	295	125	135	160	150
BTL 2244 K		890	270	80	720	140	270	550	36	50	309	152	142	167	160
BTL 3244 K		850	250	80	700	140	260	525	42	52	329	132	147	182	175
BTL 3048 K	220	680	210	70	560	120	225	455	42	52	251	108	108	143	120
BTL 3148 K		890	250	80	720	140	270	550	42	52	334	132	152	182	160
BTL 2248 K		900	250	90	750	140	290	585	42	52	320	130	140	180	150
BTL 3248 K		900	250	90	750	140	290	585	42	52	356	148	158	198	190
BTL 3052 K	240	720	220	75	600	130	250	500	42	52	261	113	113	148	130
BTL 3152 K		900	250	90	750	140	290	585	42	52	336	140,5	150,5	185,5	175
BTL 2252 K		960	290	95	800	160	310	625	42	65	330	135	145	185	161
BTL 3252 K		960	290	95	800	160	310	625	42	65	375	157,5	167,5	207,5	205
BTL 3056 K	260	760	240	80	630	140	260	520	42	65	281	118	118	163	135
BTL 3156 K		900	250	90	750	140	290	585	42	65	351	148	158	193	175
BTL 2256 K		1000	300	100	840	170	320	645	42	65	360	145	160	200	175
BTL 3256 K		1000	300	100	840	170	320	645	42	65	400	165	180	220	210

Plummer Block Bearing Housing

Series BTL

for spherical roller bearings with adapter sleeve

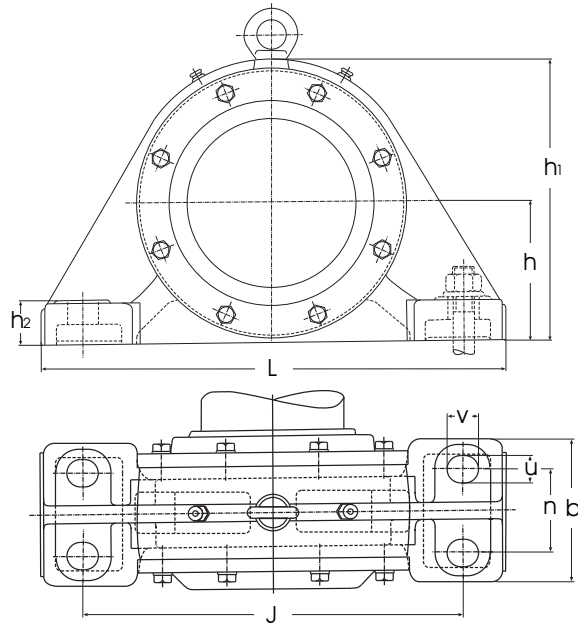


Matching Bearing Ref	Bearing Dimensions		Mounting Bolts		Eye Bolt	Overall Dimensions			Weight with Bearing kg	Sleeve
	D	B	W	Anzahl		t	k	W ₁		
23036 K	280	74	M12	16	M16	310	3	72	95	H 3036 HG
23136 K	300	96	M16	16	M20	350	3	80	150	H 3136 HG
22236 K	320	86	M16	16	M20	360	3	80	175	H 3136 HG
23236 K	320	112	M16	16	M20	360	3	90	190	H 2336 HG
23038 K	290	75	M16	16	M16	325	3	80	110	H 3038 HG
23138 K	320	104	M16	16	M20	370	3	95	180	H 3138 HG
22238 K	340	92	M16	16	M20	385	3	85	220	H 3138 HG
23238 K	340	120	M16	16	M20	385	3	96	235	H 2338 HG
23040 K	310	82	M16	16	M20	340	3	74	125	H 3040 HG
23140 K	340	112	M16	16	M24	380	2	100	235	H 3140 HG
22240 K	360	98	M16	16	M24	405	4	88	240	H 3140 HG
23240 K	360	128	M16	16	M24	405	4	100	275	H 2340 HG
23044 K	340	90	M16	16	M20	375	3	78	140	H 3044 HG
23144 K	370	120	M16	16	M24	420	4	100	260	H 3144 HG
22244 K	400	108	M20	16	M24	455	3	95	380	H 3144 HG
23244 K	400	144	M20	16	M24	445	4	110	340	H 2344 HG
23048 K	360	92	M16	16	M20	400	4	85	180	H 3048 HG
23148 K	400	128	M20	16	M24	455	4	100	285	H 3148 HG
22248 K	440	120	M20	16	M24	490	4	105	410	H 3148 HG
23248 K	440	160	M20	16	M24	490	5	120	455	H 2348 HG
23052 K	400	104	M16	16	M20	440	4	87	225	H 3052 HG
23152 K	440	144	M20	16	M24	490	4	110	370	H 3152 HG
22252 K	480	130	M20	16	M24	535	3	110	500	H 3152 HG
23252 K	480	174	M20	16	M24	535	3	125	550	H 2352 HG
23056 K	420	106	M16	16	M20	460	4	92	255	H 3056 HG
23156 K	460	146	M24	16	M24	510	4	120	460	H 3156 HG
22256 K	500	130	M24	16	M30	555	4	115	560	H 3156 HG
23256 K	500	176	M24	16	M30	555	4	135	675	H 2356 HG

Plummer Block Bearing Housing

Series BTL

for spherical roller bearings with adapter sleeve

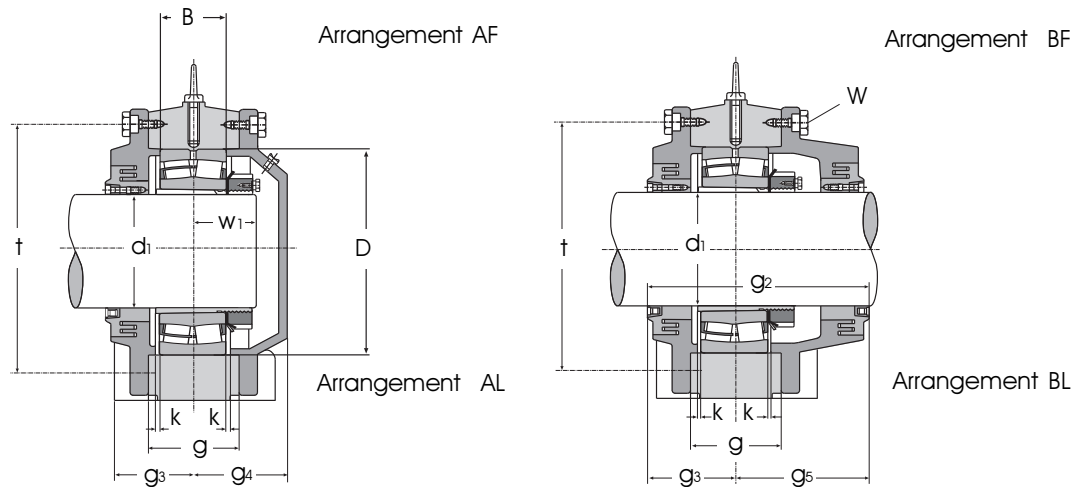


Housing Ref No	d ₁	L	b	h ₂	J	n	h	h ₁	u	v	g ₂	g ₄	g ₃	g ₅	g
								mm							
BTL 3060 K	280	820	250	85	690	150	285	570	42	65	301	133	128	173	140
BTL 3160 K		1000	300	100	840	170	320	645	42	65	385	155	170	215	190
BTL 2260 K		1100	330	105	920	180	350	705	56	75	370	160	175	195	177
BTL 3260 K		1100	330	105	920	180	350	705	56	75	404	187	182	222	230
BTL 3064 K	300	860	260	90	730	160	295	590	42	65	301	133	128	173	150
BTL 3164 K		1150	300	100	940	160	350	700	42	65	395	192	180	215	210
BTL 2264 K		1150	360	115	960	200	370	745	56	75	405	175	180	225	220
BTL 3264 K		1150	360	115	960	200	370	745	60	75	429	187	192	237	250
BTL 3068 K	320	900	270	95	770	170	315	630	42	65	311	143	133	178	160
BTL 3168 K		1150	360	115	960	200	370	735	56	75	445	200	200	245	220
BTL 2268 K		1200	380	125	980	200	390	790	64	75	437	207	194	243	205
BTL 3268 K		1200	380	125	980	200	390	785	60	75	484	217	212	272	265
BTL 3072 K	340	960	280	100	820	180	330	660	42	65	325	150	140	185	170
BTL 3172 K		1200	370	115	1000	200	380	760	56	75	450	200	200	250	225
BTL 2272 K		1280	400	130	1040	210	410	820	64	80	450	195	200	250	213
BTL 3272 K		1280	400	130	1040	210	410	820	72	80	509	222	227	282	275
BTL 3076 K	360	1000	300	105	840	190	340	680	56	75	329	152	142	187	160
BTL 3176 K		1200	380	125	1000	200	390	790	60	75	459	202	202	257	230
BTL 2276 K		1350	405	135	1100	225	425	865	64	85	465	230	200	265	230
BTL 3276 K		1350	405	135	1100	225	425	860	68	85	529	257	232	297	295
BTL 3080 K	380	1060	320	110	900	200	360	720	56	75	351	158	148	203	175
BTL 3180 K		1280	400	130	1040	210	410	820	68	80	460	205	200	260	235
BTL 2280 K		1430	450	145	1160	240	450	900	64	85	485	210	210	275	229
BTL 3280 K		1430	450	145	1160	240	450	900	72	85	569	252	252	317	300
BTL 3084 K	400	1100	340	115	940	210	375	755	56	75	351	163	148	203	180
BTL 3184 K		1350	420	135	1100	210	450	900	68	85	510	230	210	300	260
BTL 2284 K		1500	470	150	1220	255	470	950	72	90	495	215	215	280	238
BTL 3284 K		1500	470	150	1220	255	470	950	72	90	575	255	255	320	315

Plummer Block Bearing Housing

Series BTL

for spherical roller bearings with adapter sleeve

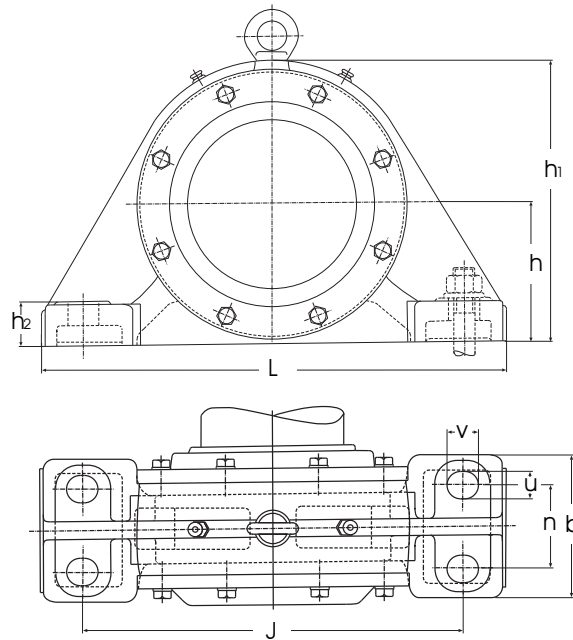


Matching Bearing Ref	Bearing Dimensions		Mounting Bolts		Eye Bolt	Overall Dimensions			Weight with Bearing kg	Sleeve
	D	B	W	Anzahl		t	k	W ₁		
23060 K	460	118	M16	16	M20	510	4	110	320	H 3060 HG
23160 K	500	160	M24	16	M30	550	4	130	565	H 3160 HG
22260 K	540	140	M24	16	M30	600	4	120	660	H 3160 HG
23260 K	540	192	M24	16	M30	600	4	145	805	H 3260 HG
23064 K	480	121	M16	16	M20	530	4	110	355	H 3064 HG
23164 K	540	176	M24	16	M30	590	4	135	710	H 3164 HG
22264 K	580	150	M24	16	M30	640	5	130	810	H 3164 HG
23264 K	580	208	M24	16	M30	640	5	145	955	H 3264 HG
23068 K	520	133	M20	16	M24	565	5	112	425	H 3068 HG
23168 K	580	190	M24	16	M30	630	4	140	790	H 3168 HG
22268 K	620	165	M24	16	M30	680	5	150	910	H 3168 HG
23268 K	620	224	M24	16	M36	680	5	175	1120	H 3268 HG
23072 K	540	134	M20	16	M24	590	5	120	475	H 3072 HG
23172 K	600	192	M24	16	M30	650	4	155	885	H 3172 HG
22272 K	650	170	M24	16	M36	710	5	155	1000	H 3172 HG
23272 K	650	232	M24	16	M36	710	5	185	1365	H 3272 HG
23076 K	560	135	M20	16	M24	610	7	123	515	H 3076 HG
23176 K	620	194	M30	16	M30	680	5	170	1025	H 3176 HG
22276 K	680	175	M30	16	M36	745	5	160	1250	H 3176 HG
23276 K	680	240	M30	16	M36	745	5	190	1565	H 3276 HG
23080 K	600	148	M20	16	M24	650	7	135	595	H 3080 HG
23180 K	650	200	M30	16	M30	710	5	170	1080	H 3180 HG
22280 K	720	185	M30	16	M36	790	5	165	1350	H 3180 HG
23280 K	720	256	M30	16	M36	790	5	200	1755	H 3280 HG
23084 K	620	150	M20	16	M24	670	7	137	640	H 3084 HG
23184 K	700	224	M30	16	M30	760	7	190	1300	H 3184 HG
22284 K	760	195	M30	16	M36	835	5	180	1500	H 3184 HG
23284 K	760	272	M30	16	M36	835	5	215	1960	H 3284 HG

Plummer Block Bearing Housing

Series BTL

for spherical roller bearings with adapter sleeve

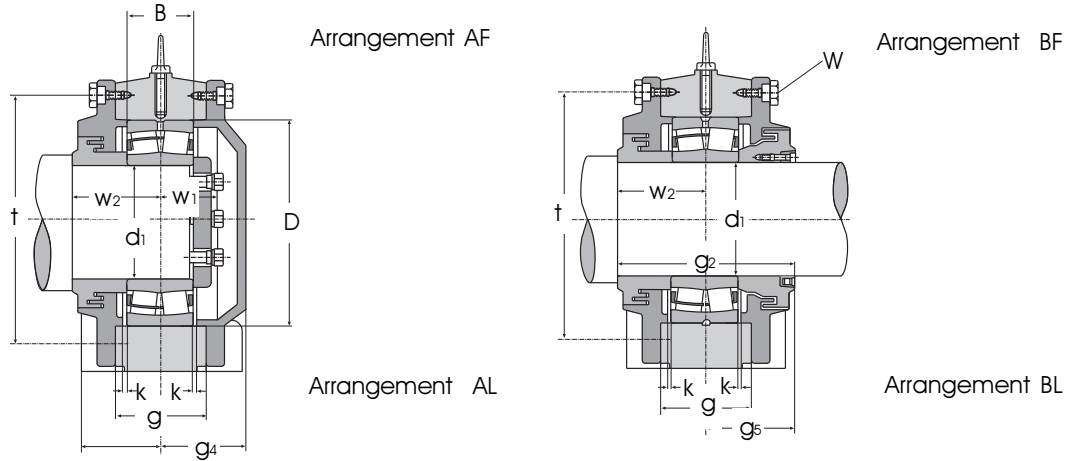


Housing Ref No	d ₁	L	b	h ₂	J	n	h	h ₁ mm	u	v	g ₂	g ₄	W ₂	g ₅	g
BTL 3220	100	410	120	40	320	63	130	255	23	32	145	65	70	75	80
BTL 3222	110	440	130	42	350	70	140	280	30	35	161	68	78	83	90
BTL 3024	120	370	110	35	300	60	115	230	23	35	130	65	65	65	60
BTL 3224		470	140	42	370	75	150	300	30	35	171	78	83	88	95
BTL 3026	130	410	120	38	340	60	130	260	23	35	136	65	68	68	70
BTL 3226		500	150	45	400	85	160	315	30	40	206	78	98	98	100
BTL 3028	140	430	130	40	360	70	140	275	30	35	136	68	68	68	70
BTL 3228		530	160	50	430	85	170	345	30	42	196	88	98	98	110
BTL 3030	150	455	140	42	370	80	145	290	30	35	156	71	78	78	80
BTL 3230		550	170	54	450	90	180	365	36	45	210	95	105	105	120
BTL 3032	160	480	150	45	390	90	155	310	30	35	156	78	78	78	85
BTL 3232		600	180	58	490	105	190	385	36	45	230	98	115	115	130
BTL 3034	170	510	160	50	420	95	165	330	36	45	166	83	83	83	90
BTL 3234		640	200	62	525	110	200	405	36	45	256	103	128	128	135
BTL 3036	180	540	170	52	450	100	180	360	36	45	176	88	88	88	100
BTL 3236		680	210	65	550	120	210	425	36	45	270	110	135	135	140
BTL 3038	190	570	180	55	480	105	185	370	36	45	186	88	93	93	105
BTL 3238		710	220	85	560	120	220	455	36	45	256	113	128	128	150
BTL 3040	200	600	190	60	510	110	200	400	36	45	196	98	98	98	110
BTL 3240		780	240	75	640	140	235	475	42	52	276	118	138	138	165

Plummer Block Bearing Housing

Series BTL

for spherical roller bearings with adapter sleeve

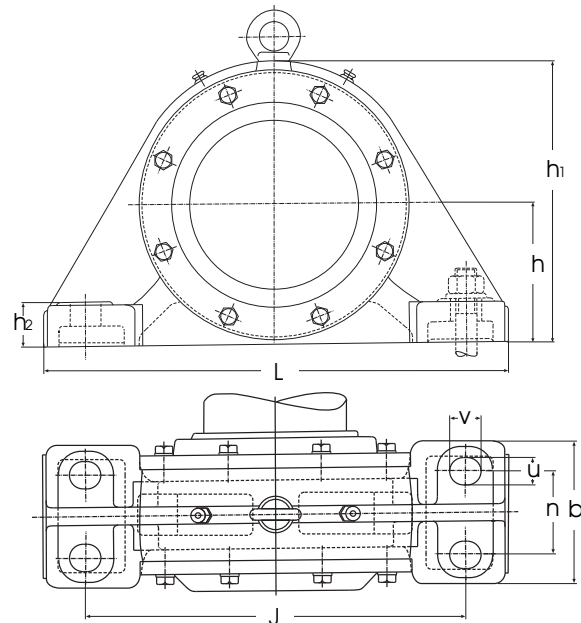


Matching Bearing Ref	Bearing Dimensions			Mounting Bolts		Eye Bolt	Overall Dimensions			Weight with Bearing kg
	d	D	B	W	Anzahl		t	k	W ₁	
23220	100	180	60,3	M10	12	M12	205	2,5	47	45
23222	110	200	69,8	M12	12	M16	230	2,5	57	45
23024	120	180	46	M10	12	M12	200	2,5	47	30
23224	120	215	76	M12	12	M16	245	2,5	62	52
23026	130	200	52	M12	16	M12	225	2	50	35
23226	130	230	80	M12	12	M16	260	3	64	65
23028	140	210	53	M10	16	M12	235	3	51	43
23228	140	250	88	M16	12	M20	285	3	68	78
23030	150	225	56	M12	16	M12	250	2	57	50
23230	150	270	96	M16	12	M20	305	3	76	95
23032	160	240	60	M12	16	M12	265	4	59	58
23232	160	290	104	M16	12	M20	330	3	80	128
23034	170	260	67	M12	16	M12	285	2	63	70
23234	170	310	110	M16	16	M20	345	3	82	162
23036	180	280	74	M12	16	M16	310	3	66	91
23236	180	320	112	M16	16	M20	360	3	84	178
23038	190	290	75	M16	16	M16	325	3	67	102
23238	190	340	120	M16	16	M20	385	4	88	225
23040	200	310	82	M16	16	M20	340	3	70	120
23240	200	360	128	M16	16	M24	405	4	101	265

Plummer Block Bearing Housing

Series BTL

for spherical roller bearings with adapter sleeve

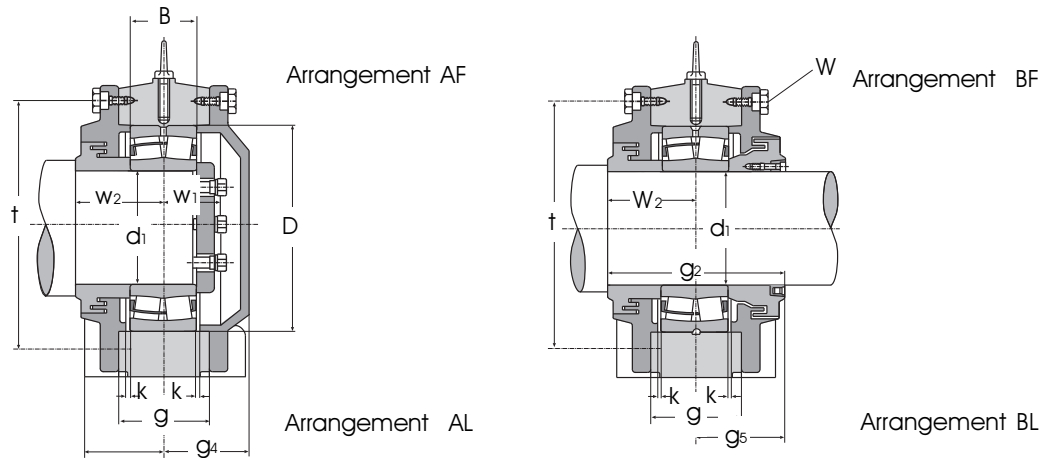


Housing Ref No	d ₁	L	b	h ₂	J	n	h	h ₁ mm	u	v	g ₂	g ₄	W ₂	g ₅	g
BTL 3044	220	640	200	65	540	115	215	430	42	52	206	103	103	103	115
BTL 3244		850	250	80	700	140	260	525	42	52	294	132	147	147	175
BTL 3048	240	680	210	70	560	120	225	455	42	52	216	108	108	108	120
BTL 3248		900	250	90	750	140	290	585	42	52	313	138	150	163	190
BTL 3052	260	720	220	75	600	130	250	500	42	52	226	113	113	113	130
BTL 3252		960	290	95	800	160	310	625	42	65	335	157	167	167	205
BTL 3056	280	760	240	80	630	140	260	520	42	65	236	118	118	118	135
BTL 3256		1000	300	100	840	170	320	645	42	65	360	165	180	180	210
BTL 3060	300	820	250	85	690	150	280	570	42	65	266	133	133	133	140
BTL 3260		1100	330	105	920	180	350	705	56	75	377	162	187	190	230
BTL 3064	320	860	260	90	730	160	295	590	42	65	266	133	133	133	150
BTL 3264		1150	360	115	960	200	370	745	60	75	384	187	192	192	250
BTL 3068	340	900	270	95	770	170	315	630	42	65	268	143	133	135	160
BTL 3268		1200	380	125	980	200	390	785	60	75	424	217	212	212	265
BTL 3072	360	960	280	100	820	180	330	660	42	65	276	148	138	138	170
BTL 3272		1280	400	130	1040	210	410	820	72	80	454	222	227	227	275
BTL 3076	380	1000	300	105	840	190	340	680	56	75	284	152	142	142	160
BTL 3276		1350	405	135	1110	225	425	860	72	85	464	257	232	232	295
BTL 3080	400	1060	320	110	900	200	360	720	56	75	296	158	148	148	175
BTL 3280		1430	450	145	1160	240	450	900	72	85	504	252	252	252	300
BTL 3084	420	1100	340	115	940	210	375	755	56	75	296	158	148	148	180
BTL 3284		1500	470	150	1220	255	470	950	72	90	510	255	255	255	315

Plummer Block Bearing Housing

Series BTL

for spherical roller bearings with adapter sleeve



Matching Bearing Ref	Bearing Dimensions			Mounting Bolts		Eye Bolt	Overall Dimensions			Weight with Bearing kg
	d	D	B	W	Anzahl		t	k	W ₁	
23044	220	340	90	M16	16	M20	375	3	78	135
23244	220	400	144	M20	16	M24	445	4	106	330
23048	240	360	92	M16	16	M20	400	4	79	170
23248	240	440	160	M20	16	M24	490	3	114	440
23052	260	400	104	M16	16	M20	440	4	85	215
23252	260	480	174	M20	16	M24	535	3	121	530
23056	280	420	106	M16	16	M20	460	4	91	240
23256	280	500	176	M24	16	M30	555	4	127	650
23060	300	460	118	M16	16	M20	510	4	97	300
23260	300	540	192	M24	16	M30	600	4	133	770
23064	320	480	121	M16	16	M20	530	4	100	335
23264	320	580	208	M24	16	M30	640	5	146	915
23068	340	520	133	M20	16	M24	565	5	110	395
23268	340	620	224	M24	16	M36	680	5	154	1050
23072	360	540	134	M20	16	M24	590	5	110	450
23272	260	650	232	M24	16	M36	710	5	170	1300
23076	380	560	135	M20	16	M24	610	7	110	490
23276	380	680	240	M30	16	M36	745	5	180	1500
23080	400	600	148	M20	16	M24	650	7	116	560
23280	400	720	256	M30	16	M36	790	5	200	1680
23084	420	620	150	M20	16	M24	670	7	117	600
23284	420	760	272	M30	16	M36	835	5	210	187