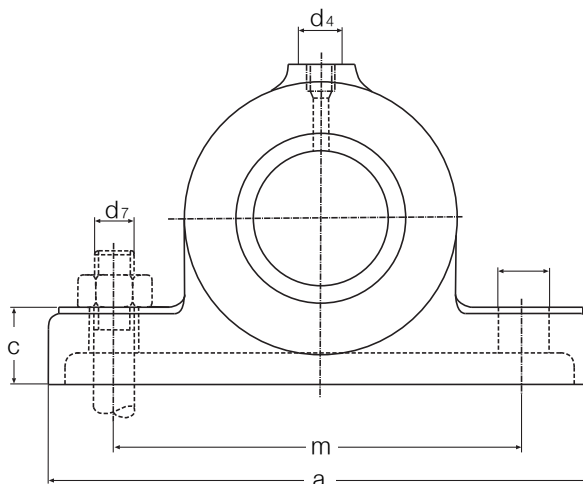
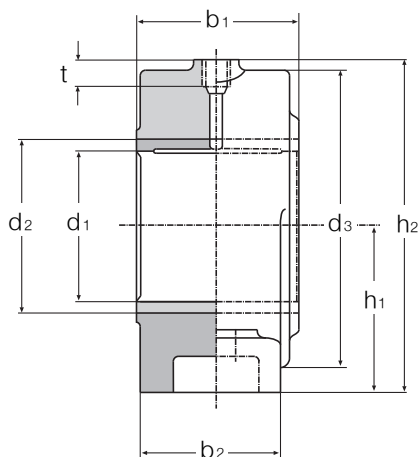


PALIERIS LISSES MONOBLOCS

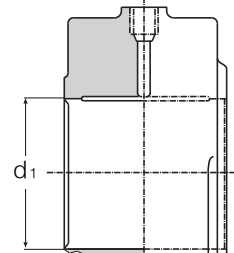
Suivant DIN 504



Exécution A avec coussinet



Exécution B sans coussinet



| d ₁ / D10 | d ₁ | a | b ₁ | b ₂ | c | d ₂ | d ₃ | d ₄ | d ₆ | d ₇ | h ₁ | h ₂ | m | t |
|----------------------|----------------|-----|----------------|----------------|----|----------------|----------------|----------------|----------------|----------------|----------------|----------------|-----|----|
| A | B | | | | | mm | | | | | +/- 0,2 | max | | |
| - | 20 | 110 | 50 | 35 | 18 | - | 45 | R 1/4 | 12 | M10 | 30 | 56 | 75 | 10 |
| - | 25 | 140 | 60 | 40 | 25 | - | 60 | R 1/4 | 15 | M12 | 40 | 75 | 100 | 10 |
| - | 30 | 140 | 60 | 40 | 25 | - | 60 | R 1/4 | 15 | M12 | 40 | 75 | 100 | 10 |
| 25 | 35 | 160 | 60 | 45 | 25 | 35 | 80 | R 1/4 | 15 | M12 | 50 | 95 | 120 | 10 |
| 30 | 40 | 160 | 60 | 45 | 25 | 40 | 80 | R 1/4 | 15 | M12 | 50 | 95 | 120 | 10 |
| 35 | 45 | 190 | 70 | 50 | 30 | 45 | 90 | R 1/4 | 19 | M16 | 60 | 110 | 140 | 10 |
| 40 | 50 | 190 | 70 | 50 | 30 | 50 | 90 | R 1/4 | 19 | M16 | 60 | 110 | 140 | 10 |
| 45 | 55 | 220 | 80 | 55 | 35 | 55 | 100 | R 1/4 | 24 | M20 | 70 | 125 | 160 | 10 |
| 50 | 60 | 220 | 80 | 55 | 35 | 60 | 100 | R 1/4 | 24 | M20 | 70 | 125 | 160 | 10 |
| 55 | (65) | 240 | 90 | 60 | 35 | 65 | 120 | R 1/4 | 24 | M20 | 80 | 145 | 180 | 10 |
| 60 | 70 | 240 | 90 | 60 | 35 | 70 | 120 | R 1/4 | 24 | M20 | 80 | 145 | 180 | 10 |
| 70 | 80 | 270 | 100 | 70 | 45 | 80 | 140 | R 1/4 | 28 | M24 | 90 | 165 | 210 | 10 |
| (75) | 90 | 300 | 100 | 80 | 45 | 85 | 160 | R 1/4 | 28 | M24 | 100 | 185 | 240 | 10 |
| 80 | 90 | 300 | 100 | 80 | 45 | 90 | 160 | R 1/4 | 28 | M24 | 100 | 185 | 240 | 10 |
| 90 | 100 | 330 | 120 | 90 | 45 | 100 | 180 | R 1/4 | 28 | M24 | 100 | 195 | 270 | 10 |
| 90 | 110 | 330 | 120 | 90 | 45 | 100 | 180 | R 1/4 | 28 | M24 | 100 | 195 | 270 | 10 |
| 100 | (120) | 360 | 120 | 100 | 50 | 115 | 200 | R 3/8 | 28 | M24 | 110 | 215 | 300 | 11 |
| 110 | 125 | 360 | 120 | 100 | 50 | 125 | 200 | R 3/8 | 28 | M24 | 110 | 215 | 300 | 11 |
| 125 | 140 | 410 | 140 | 100 | 55 | 140 | 220 | R 3/8 | 35 | M30 | 120 | 235 | 330 | 11 |
| 140 | 160 | 440 | 160 | 100 | 60 | 155 | 240 | R 3/8 | 35 | M30 | 130 | 255 | 360 | 11 |

Si possible, n'utilisez pas les tailles entre parenthèses.