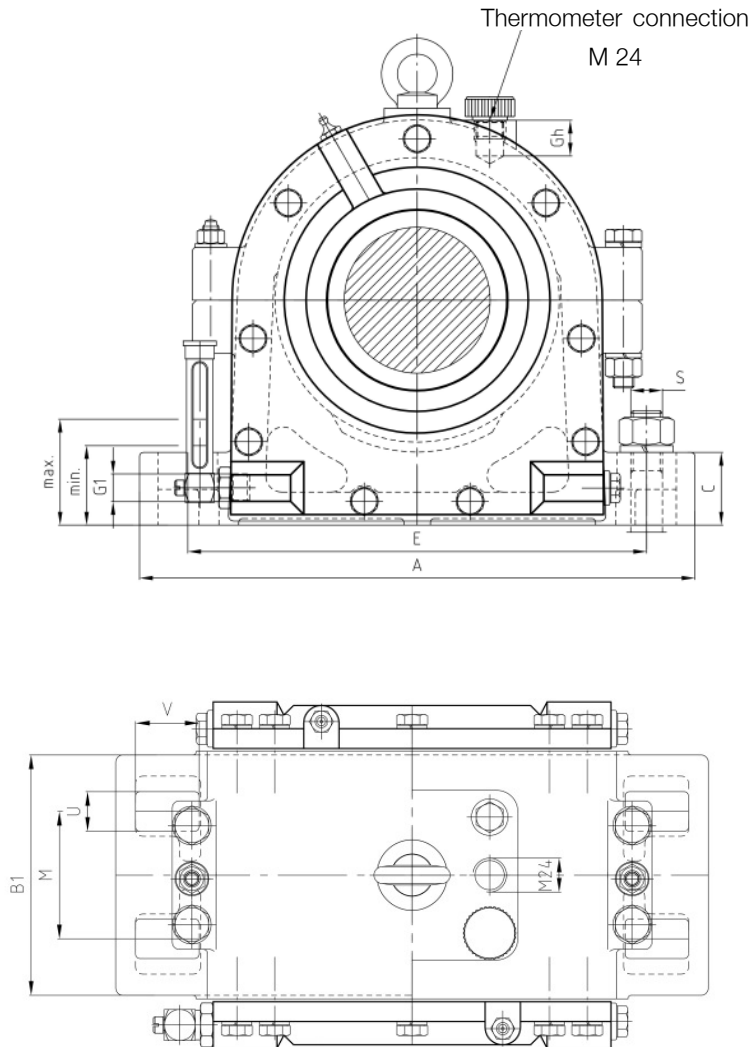
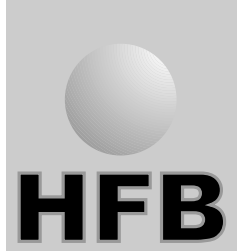


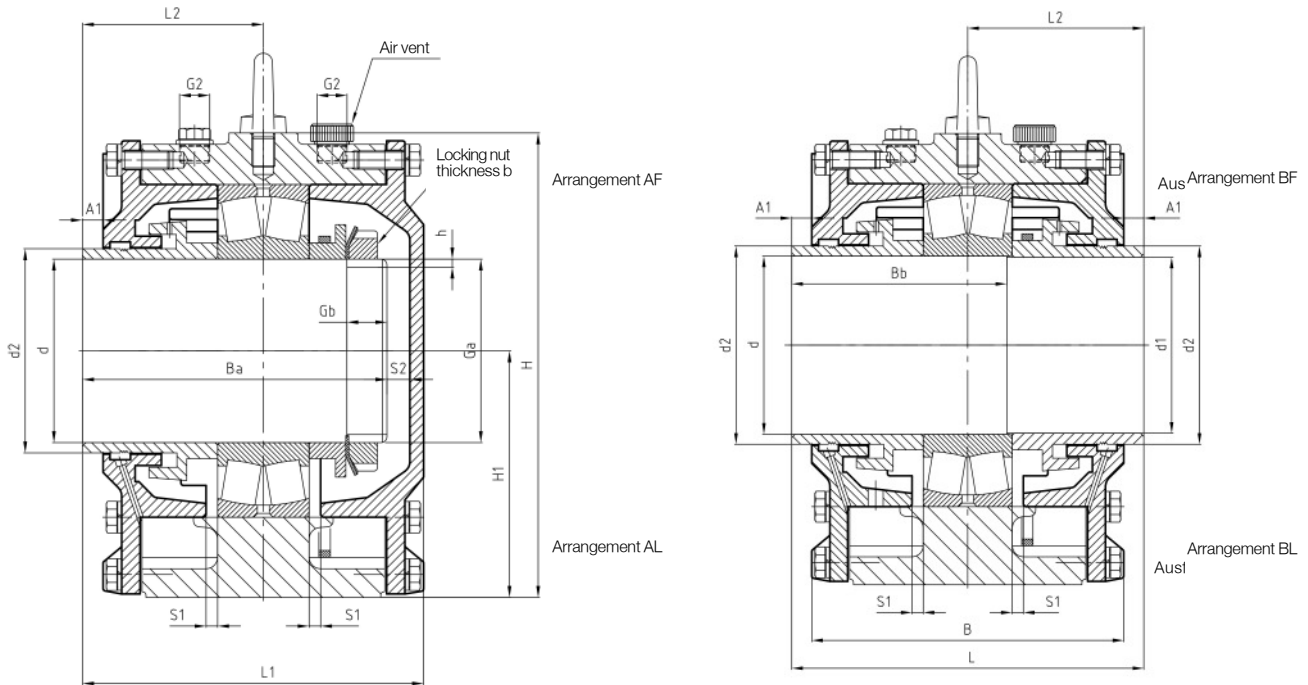
Plummer Block Housings (split)

Series GOS 3

with oil splash ring lubrication for spherical roller bearings with cylindrical bore



Housing		d ₁	d ₂	H ₁	H	A	E	C	S	S ₁	V	U	M	B ₁	B	L	L ₁	L ₂	A ₁	G ₁	G ₂	G ₃
Ref No	Shaft d	mm																				
GOS 310	50	49	58	95	168	270	210	30	M16	3	30	19	50	92	145	150	142,5	75,0	7,5	R ¹ / ₄	R ³ / ₈	27
GOS 311	55	53	65	100	180	290	233	30	M16	3	33	19	50	95	148	155	147,5	77,5	7,5	R ¹ / ₄	R ³ / ₈	27
GOS 312	60	58	70	110	198	290	230	30	M16	5	34	19	55	100	152	170	162,5	85,0	7,5	R ¹ / ₄	R ³ / ₈	27
GOS 314	70	65	80	125	230	330	260	35	M20	5	40	24	60	110	182	180	172,5	90,0	7,5	R ¹ / ₂	R ³ / ₈	27
GOS 316	80	78	95	140	255	360	290	40	M20	5	40	24	80	135	210	214	199,0	107,0	15,0	R ¹ / ₂	R ³ / ₈	27
GOS 318	90	88	104	155	280	400	317	50	M24	5	45	28	95	165	246	240	225,0	120,0	15,0	R ¹ / ₂	R ¹ / ₂	32
GOS 320	100	98	115	170	315	420	347	55	M24	8	45	28	90	170	245	270	255,0	135,0	15,0	R ¹ / ₂	R ¹ / ₂	27
GOS 322	110	108	130	190	355	500	415	65	M30	8	45	35	100	190	265	290	270,0	145,0	20,0	R ¹ / ₂	R ³ / ₄	33
GOS 324	120	118	140	200	375	540	450	65	M30	8	50	35	115	190	265	306	285,5	153,0	20,5	R ¹ / ₂	R ³ / ₄	44
GOS 326	130	128	150	215	405	560	470	65	M30	8	50	35	120	205	285	320	300,0	160,0	20,0	R ¹ / ₂	R ³ / ₄	38
GOS 328	140	138	165	230	425	630	510	80	M30	8	60	35	120	220	300	340	320,0	170,0	20,0	R ¹ / ₂	R ³ / ₄	42
GOS 330	150	148	175	245	455	650	545	75	M30	10	65	35	150	240	320	350	335,0	175,0	15,0	R ¹ / ₂	R ³ / ₄	44
GOS 332	160	158	190	260	480	720	590	85	M36	10	70	42	150	250	335	370	350,0	185,0	20,0	R ¹ / ₂	R ³ / ₄	50
GOS 334	170	168	197	275	510	730	600	85	M36	12	70	42	160	260	350	378	358,0	189,0	20,0	R ¹ / ₂	R ³ / ₄	44
GOS 336	180	178	210	305	565	820	670	95	M36	12	80	42	180	280	370	404	384,5	202,0	19,5	R ¹ / ₂	R ³ / ₄	48



Bearing Ref	Connection		Dimensions							Oil Volume Liter	Oil level		Locking Nut	Safety Washer	Weight	
	B _a	B _b	G _a	G _b	b	h	r	s ₂	max.		min	Arrangement A			Arrangement B	
			mm							mm				kg	B	
22310	128	92	M50x1,5	18	7	3	1,6	8,5	0,3	53	33	KM 10	MB 10	22	23	
22311	134	96	M55x2	17	9	3	1,6	7,5	0,4	53	37	KM 11	MB 11	24	26	
22312	147	105	M60x2	17	9	3	1,6	7,5	0,5	60	40	KM 12	MB 12	25	27	
22314	156	112	M70x2	18	9	4	1,6	8,5	0,6	65	45	KM 14	MB 14	31	32	
22316	181	133	M80x2	22	11	4	1,6	8,0	1,0	73	45	KM 16	MB 16	39	42	
22318	198	148	M90x2	22	11	4	1,6	17,0	1,4	80	55	KM 18	MB 18	51	53	
22320	226	168	M100x2	27	13	4	2,5	19,0	1,8	85	57	KM 20	MB 20	70	73	
22322	243	180	M110x2	28	13	5	2,5	17,0	2,0	95	67	KM 22	MB 22	105	110	
22324	254	192	M120x2	28	15	6	2,5	19,0	2,8	100	65	KM 24	MB 24	125	127	
22326	265	202	M130x2	30	15	6	3,0	26,0	3,4	105	70	KM 26	MB 26	152	158	
22328	287	215	M140x2	30	17	6	3,0	21,0	4,2	115	70	KM 28	MB 28	180	188	
22330	292	225	M150x2	33	17	6	6,0	31,0	6,0	120	75	KM 30	MB 30	201	211	
22332	315	240	M160x3	36	19	7	6,0	20,0	6,5	125	80	KM 32	MB 32	230	240	
22334	321	244	M170x3	37	19	7	6,0	22,0	7,5	130	85	KM 34	MB 34	270	283	
22336	342	260	M180x3	38	21	7	6,0	27,0	10,5	155	90	KM 36	MB 36	360	380	