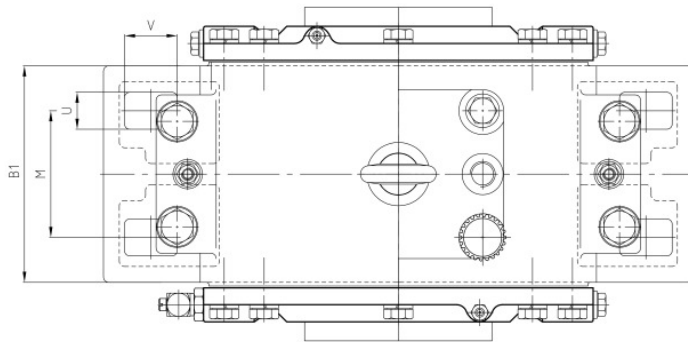
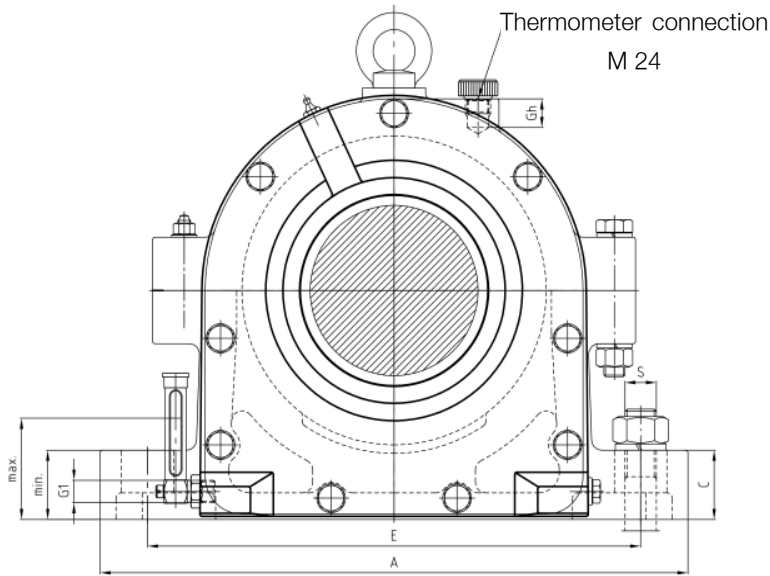
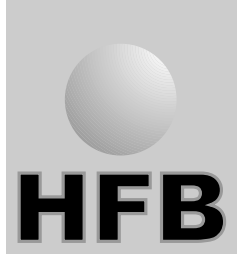


Plummer Block Housings (split)

Series GOS 2

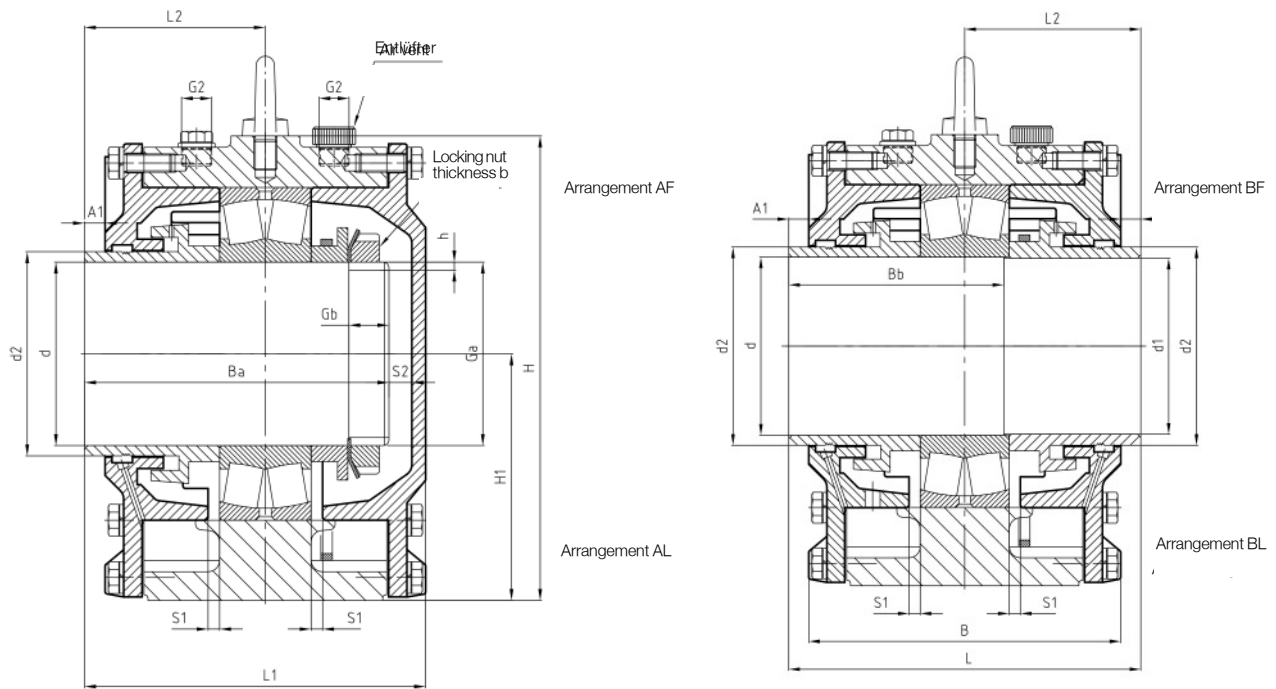
with oil splash ring lubrication for spherical roller bearings with cylindrical bore



Housing																						
Ref No	Shaft d	d ₁	d ₂	H ₁	H	A	E	C	S	S ₁	V	U	M	B ₁	B	L	L ₁	L ₂	A ₁	G ₁	G ₂	G _h
mm																						
GOS 217	85	83	96	125	230	330	260	35	M20	5	40	24	60	110	182	180	172,5	90,0	7,5	R ¹ / ₂	R ³ / ₈	27
GOS 218	90	88	100	135	245	360	290	45	M20	5	40	24	70	120	190	190	180,0	95,0	10,0	R ¹ / ₂	R ³ / ₈	27
GOS 219	95	93	105	140	255	360	290	45	M20	5	40	24	80	135	210	200	192,0	100,0	8,0	R ¹ / ₂	R ³ / ₈	27
GOS 220	100	98	110	145	270	400	320	50	M24	5	45	28	75	130	205	206	196,0	103,0	10,0	R ¹ / ₂	R ¹ / ₂	27
GOS 222	110	108	120	160	290	420	347	50	M24	5	45	28	75	145	216	229	216,0	114,5	13,0	R ¹ / ₂	R ¹ / ₂	27
GOS 224	120	118	135	170	315	420	347	55	M24	8	45	28	90	170	245	276	258,0	138,0	18,0	R ¹ / ₂	R ¹ / ₂	27
GOS 226	130	128	145	180	335	450	377	60	M24	8	45	28	100	180	260	270	255,0	135,0	15,0	R ¹ / ₂	R ¹ / ₂	32
GOS 228	140	138	160	190	355	500	415	65	M30	8	45	35	100	190	265	280	265,0	140,0	15,0	R ¹ / ₂	R ³ / ₄	33
GOS 230	150	148	170	200	375	540	450	65	M30	8	50	35	115	190	265	280	265,0	140,0	15,0	R ¹ / ₂	R ³ / ₄	44
GOS 232	160	158	178	215	405	560	470	65	M30	10	50	35	120	205	280	316	298,0	158,0	18,0	R ¹ / ₂	R ³ / ₄	38
GOS 234	170	168	195	235	440	610	515	70	M30	10	55	35	130	230	310	350	330,0	175,0	20,0	R ¹ / ₂	R ³ / ₄	46
GOS 236	180	177	205	245	455	650	545	75	M30	10	65	35	150	240	320	360	340,0	180,0	20,0	R ¹ / ₂	R ³ / ₄	44
GOS 238	190	188	220	260	480	720	590	85	M36	12	70	42	150	250	335	370	350,0	185,0	20,0	R ¹ / ₂	R ³ / ₄	50
GOS 240	200	198	227	275	510	730	600	85	M36	12	70	42	160	260	350	378	358,0	189,0	20,0	R ¹ / ₂	R ³ / ₄	44
GOS 244	220	218	255	305	565	820	670	95	M36	12	70	42	180	280	370	404	384,5	202,0	19,5	R ¹ / ₂	R ³ / ₄	48
GOS 248	240	238	270	340	625	900	740	100	M36	12	80	42	190	290	380	420	400,0	210,0	20,0	R ¹ / ₂	R ³ / ₄	56

Series GOS 2

with oil splash ring lubrication for spherical roller bearings with cylindrical bore



Bearing Ref	Connection Dimensions				b	h	r	s ₂	Oil Volume Liter	Oil level		Locking Nut	Safety Washer	Weight Arrangement	
	B _a	B _b	G _a	G _b						mm	mm			mm	A
22217	150	105	M 85x2	22	11	4	1,6	14,5	0,7	63	42	KM 17	MB 17	22,5	23,5
22218	161	112	M 90x2	23	11	4	1,6	11,0	0,8	68	45	KM 18	MB 18	35,0	37,0
22219	171	118	M 95x2	24	11	4	1,6	11,0	0,9	70	50	KM 19	MB 19	39,0	41,0
22220	177	123	M 100x2	25	13	4	1,6	9,0	1,0	70	50	KM 20	MB 20	44,0	46,0
22222	192	138	M 110x2	26	13	5	1,6	14,0	1,3	70	50	KM 22	MB 22	54,0	57,0
22224	225	164	M 120x2	28	15	6	1,6	23,0	1,7	80	60	KM 24	MB 24	74,0	76,0
22226	226	164	M 130x2	30	15	6	2,5	19,0	2,3	85	60	KM 26	MB 26	84,0	89,0
22228	234	170	M 140x2	30	17	6	2,5	19,0	2,4	85	60	KM 28	MB 28	107,0	114,0
22230	239	173	M 150x2	32	17	6	2,5	16,0	2,8	90	60	KM 30	MB 30	125,0	131,0
22232	266	193	M 160x3	35	19	7	2,5	20,0	3,3	95	65	KM 32	MB 32	154,0	162,0
22234	290	213	M 170x3	37	19	7	3,0	28,0	5,0	105	75	KM 34	MB 34	189,0	197,0
22236	296	218	M 180x3	38	21	7	5,0	32,0	5,2	115	80	KM 36	MB 36	208,0	217,0
22238	317	226	M 190x3	39	21	7	6,0	18,0	5,8	120	85	KM 38	MB 38	238,0	249,0
22240	315	233	M 200x3	40	21	7	6,0	28,0	7,0	125	85	KM 40	MB 40	281,0	294,0
22244	342	251	Tr 220x4	44	25	8	6,0	27,0	8,5	140	95	HM 44T	MB 44	371,0	392,0
22248	360	266	Tr 240x4	47	25	8	6,0	25,0	9,5	155	110	HM 48T	MB 48	445,0	475,0