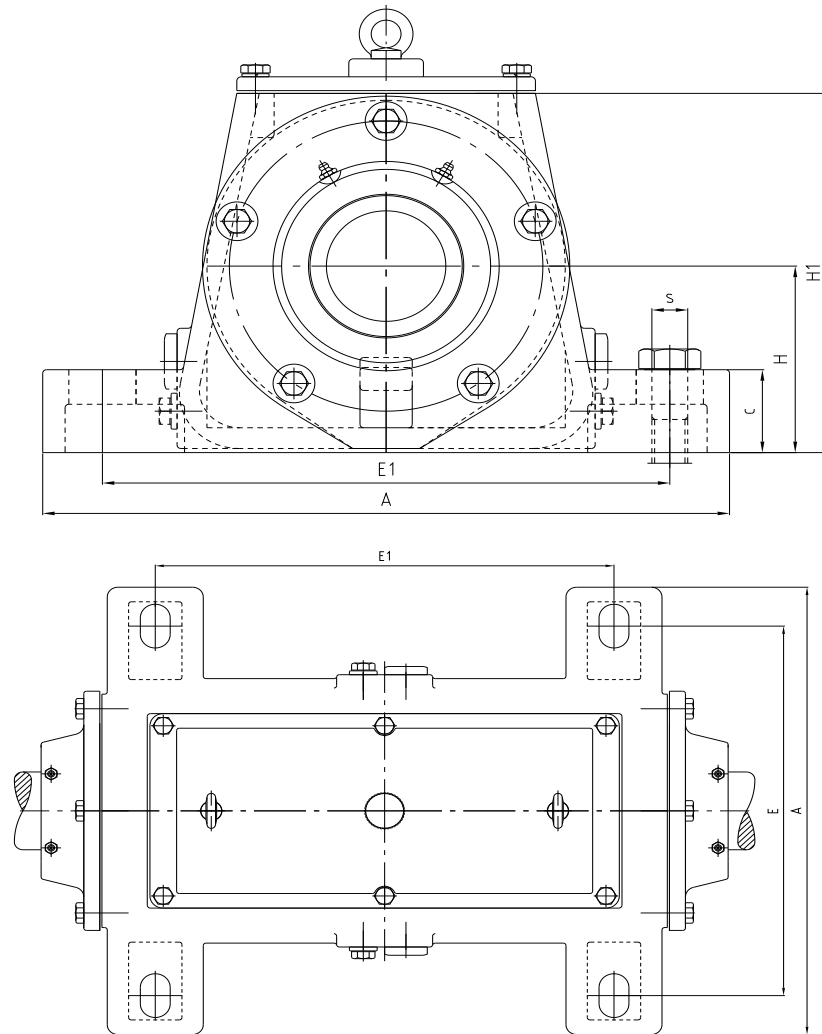
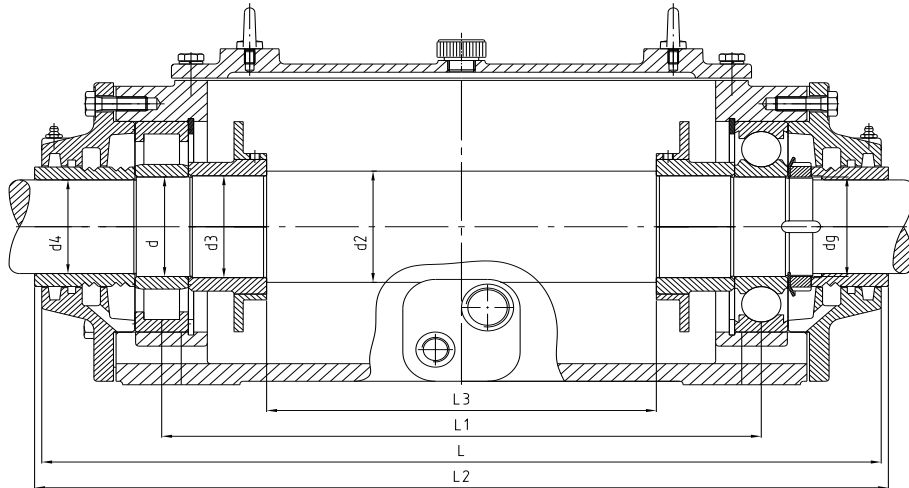


Housed Bearing Unit

Series ZLGO
for oil lubrication



| Housing | Dimensions in mm | | | | | | | | | | | | | | | | |
|------------|------------------|----------------|----------------|----------------|----------------|-----|-----|----|----------------|-----|----------------|------|-----|----------------|----------------|----------------|-----|
| Ref No | d | d ₂ | d ₃ | d ₄ | d _g | A | B | C | L ₁ | H | H ₁ | L | E | E ₁ | L ₂ | L ₃ | s |
| ZLGO 40 A | 40 | 50 | 42 | 37 | M40 x 1,5 | 290 | 295 | 40 | 250 | 80 | 165 | 380 | 230 | 235 | 410 | 135 | M16 |
| ZLGO 45 A | 45 | 55 | 47 | 40 | M45 x 1,5 | 290 | 295 | 40 | 250 | 80 | 165 | 380 | 230 | 235 | 410 | 135 | M16 |
| ZLGO 50 A | 50 | 60 | 52 | 45 | M50 x 1,5 | 320 | 348 | 45 | 300 | 95 | 192 | 432 | 260 | 285 | 444 | 175 | M16 |
| ZLGO 55 A | 55 | 65 | 57 | 50 | M55 x 2 | 320 | 348 | 45 | 300 | 95 | 192 | 432 | 260 | 285 | 444 | 175 | M16 |
| ZLGO 60 A | 60 | 70 | 62 | 55 | M60 x 2 | 370 | 390 | 50 | 340 | 110 | 222 | 480 | 300 | 320 | 490 | 205 | M20 |
| ZLGO 65 A | 65 | 75 | 67 | 60 | M65 x 2 | 370 | 390 | 50 | 340 | 110 | 222 | 480 | 300 | 320 | 490 | 205 | M20 |
| ZLGO 70 A | 70 | 80 | 72 | 65 | M70 x 2 | 400 | 450 | 55 | 400 | 120 | 245 | 556 | 330 | 370 | 573 | 265 | M20 |
| ZLGO 75 A | 75 | 85 | 77 | 70 | M75 x 2 | 400 | 450 | 55 | 400 | 120 | 245 | 556 | 330 | 370 | 573 | 265 | M20 |
| ZLGO 80 A | 80 | 90 | 82 | 75 | M80 x 2 | 460 | 520 | 60 | 460 | 135 | 272 | 645 | 380 | 430 | 655 | 301 | M24 |
| ZLGO 85 A | 85 | 95 | 87 | 80 | M85 x 2 | 460 | 520 | 60 | 460 | 135 | 272 | 645 | 380 | 430 | 655 | 299 | M24 |
| ZLGO 90 A | 90 | 105 | 92 | 85 | M90 x 2 | 560 | 585 | 70 | 520 | 150 | 307 | 736 | 445 | 490 | 756 | 357 | M36 |
| ZLGO 95 A | 95 | 110 | 97 | 90 | M95 x 2 | 560 | 585 | 70 | 520 | 150 | 307 | 736 | 445 | 490 | 746 | 357 | M36 |
| ZLGO 100 A | 100 | 115 | 102 | 95 | M100 x 2 | 560 | 585 | 70 | 520 | 150 | 307 | 736 | 445 | 490 | 766 | 268 | M36 |
| ZLGO 110 A | 110 | 125 | 112 | 105 | M110 x 2 | 560 | 585 | 70 | 520 | 150 | 307 | 736 | 445 | 490 | 746 | 364 | M36 |
| ZLGO 120 A | 120 | 140 | 122 | 115 | M120 x 2 | 600 | 955 | 75 | 900 | 160 | 330 | 1105 | 480 | 860 | 1125 | 730 | M36 |
| ZLGO 130 A | 130 | 150 | 132 | 125 | M130 x 2 | 690 | 830 | 90 | 750 | 200 | 397 | 1024 | 550 | 710 | 1050 | 554 | M42 |
| ZLGO 140 A | 140 | 160 | 142 | 135 | M140 x 2 | 690 | 830 | 90 | 750 | 200 | 397 | 1024 | 550 | 710 | 1050 | 554 | M24 |



| Housing Ref No | Bearing | | Nut | Safety Washer | Weight kg | Oil Qty l |
|-------------------|-----------|----------|-------|------------------|--------------|--------------|
| | Floating | Locating | | | | |
| ZLGO 40 A | NU 308 C3 | 6308 C3 | KM 8 | MB 8 | 23 | 0,9 |
| ZLGO 45 A | NU 309 C3 | 6309 C3 | KM 9 | MB 9 | 24 | 0,9 |
| ZLGO 50 A | NU 310 C3 | 6310 C3 | KM 10 | MB 10 | 27 | 1,5 |
| ZLGO 55 A | NU 311 C3 | 6311 C3 | KM 11 | MB 11 | 30 | 1,5 |
| ZLGO 60 A | NU 312 C3 | 6312 C3 | KM 12 | MB 12 | 55 | 2,2 |
| ZLGO 65 A | NU 313 C3 | 6313 C3 | KM 13 | MB 13 | 56 | 2,2 |
| ZLGO 70 A | NU 314 C3 | 6314 C3 | KM 14 | MB 14 | 72 | 3,0 |
| ZLGO 75 A | NU 315 C3 | 6315 C3 | KM 15 | MB 15 | 70 | 3,0 |
| ZLGO 80 A | NU 316 C3 | 6316 C3 | KM 16 | MB 16 | 105 | 4,0 |
| ZLGO 85 A | NU 317 C3 | 6317 C3 | KM 17 | MB 17 | 120 | 4,0 |
| ZLGO 90 A | NU 318 C3 | 6318 C3 | KM 18 | MB 18 | 140 | 6,0 |
| ZLGO 95 A | NU 319 C3 | 6319 C3 | KM 19 | MB 19 | 145 | 6,0 |
| ZLGO 100 A | NU 220 C3 | 6220 C3 | KM 20 | MB 20 | 145 | 6,0 |
| ZLGO 110 A | NU 222 C3 | 6222 C3 | KM 22 | MB 22 | 150 | 6,0 |
| ZLGO 120 A | NU 224 C3 | 6224 C3 | KM 24 | MB 24 | 220 | 10,0 |
| ZLGO 130 A | NU 226 C3 | 6226 C3 | KM 26 | MB 26 | 340 | 18,0 |
| ZLGO 140 A | NU 228 C3 | 6228 C3 | KM 28 | MB 28 | 350 | 20,0 |