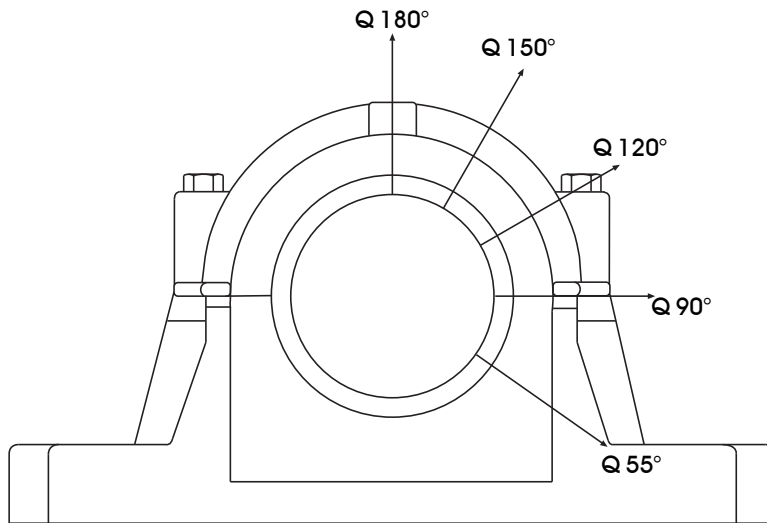


SNI Plummer Block Housings



Breaking Loads for SNI Plummer Blocks



According to the operating conditions and the requirements of the operating safety it must be calculated with a corresponding safety coefficient.

The breaking loads are for GG. A factor of x 1.8 applies to housing from GGG / GS.

Housing Ref No	Breaking Load kN				
	Q 180°	Q 150°	Q 120°	Q 90°	Q 55°
SNI 208 - 307	110	85	95	130	215
SNI 209	115	90	100	140	230
SNI 210	130	110	120	155	265
SNI 211	140	115	125	170	275
SNI 212	150	120	130	180	300
SNI 213	170	130	150	205	340
SNI 215	205	160	185	250	410
SNI 216	215	175	190	260	430
SNI 217	240	190	205	290	480
SNI 218	275	215	250	340	550
SNI 506	85	65	80	100	170
SNI 507 - 606	95	80	85	115	190
SNI 508 - 607	110	85	95	130	215
SNI 509	115	90	100	140	230
SNI 510 - 608	130	110	120	155	265
SNI 511 - 609	140	115	125	170	275
SNI 512 - 610	150	120	130	180	300
SNI 513 - 611	170	130	150	205	340
SNI 515 - 612	205	160	185	250	410
SNI 516 - 613	215	175	190	260	430
SNI 517	240	190	205	290	480
SNI 518 - 615	275	215	250	340	550
SNI 519 - 616	290	230	260	350	580
SNI 520 - 617	310	250	280	370	620
SNI 522 - 619	340	275	310	410	680
SNI 524 - 620	400	320	350	470	790
SNI 526	450	360	410	540	900
SNI 528	530	430	470	630	1050
SNI 530	600	480	540	730	1200
SNI 532	720	570	640	860	1450

Permissible loading for SNI Plummer Block clamping bolts

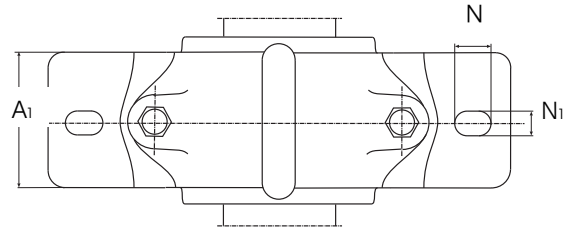
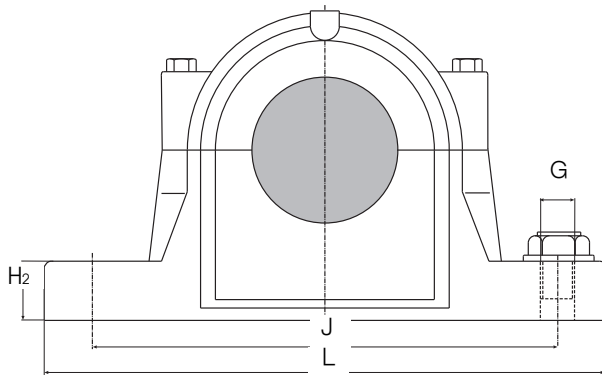
Housing Ref No	Clamping Bolts DIN EN 24014 8.8	Torque Nm	max. Permissible Load kN for the two connecting bolts		
			F180°	F150°	F120°
SNI 208	M10 x 55	50	25	30	50
SNI 209	M10 x 55	50	25	30	50
SNI 210	M10 x 55	50	25	30	50
SNI 211	M12 x 60	80	40	45	80
SNI 212	M12 x 60	80	40	45	80
SNI 213	M12 x 65	80	40	45	80
SNI 215	M12 x 65	80	40	45	80
SNI 216	M16 x 70	150	85	100	170
SNI 217	M16 x 80	150	85	100	170
SNI 218	M16 x 85	150	85	100	170
SNI 506	M10 x 45	50	25	30	50
SNI 507 - 606	M10 x 50	50	25	30	50
SNI 508 - 607	M10 x 55	50	25	30	50
SNI 509	M10 x 55	50	25	30	50
SNI 510 - 608	M10 x 55	50	25	30	50
SNI 511 - 609	M12 x 60	80	40	45	80
SNI 512 - 610	M12 x 60	80	40	45	80
SNI 513 - 611	M12 x 65	80	40	45	80
SNI 515 - 612	M12 x 65	80	40	45	80
SNI 516 - 613	M16 x 70	150	85	100	170
SNI 517	M16 x 80	150	85	100	170
SNI 518 - 615	M16 x 85	150	85	100	170
SNI 519 - 616	M16 x 90	150	85	100	170
SNI 520 - 617	M20 x 100	200	130	150	260
SNI 522 - 619	M20 x 100	200	130	150	260
SNI 524 - 620	M20 x 110	200	130	150	260
SNI 526	M20 x 120	200	130	150	260
SNI 528	M20 x 120	200	130	150	260
SNI 530	M20 x 130	200	130	150	260
SNI 532	M20 x 130	200	130	150	260

* for other seals see on page 7

Plummer Block (split)

Series SNI 5 and SNI 6

For self aligning ball bearings or spherical roller bearings with adapter sleeve

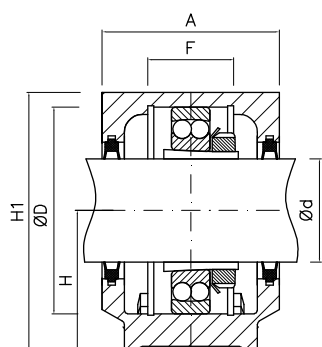


Housing Ref No	Weight kg	d ₁	D ^{H8}	H	H _i	A	L mm	A ₁	A ₂	H ₂	F	J	N ₁	N	G
SNI 506	2,0	25	62	50	88	78	185	52	86	22	32	150	15	20	M 12
SNI 606	2,1	25	72	50	90	85	185	52	93	22	34	150	15	20	M 12
SNI 507	2,1	30	72	50	93	83	185	52	91	22	34	150	15	20	M 12
SNI 607	2,8	30	80	60	105	93	205	60	101	25	39	170	15	20	M 12
SNI 508	2,8	35	80	60	105	86	205	60	94	25	39	170	15	20	M 12
SNI 608	3,1	35	90	60	110	96	205	60	104	25	41	170	15	20	M 12
SNI 509	2,9	40	85	60	110	86	205	60	96	25	30	170	15	20	M 12
SNI 609	4,5	40	100	70	128	108	255	70	118	28	44	210	18	24	M 16
SNI 510	3,1	45	90	60	113	92	205	60	102	25	41	170	15	20	M12
SNI 610	5,0	45	110	70	132	118	255	70	128	30	48	210	18	24	M 16

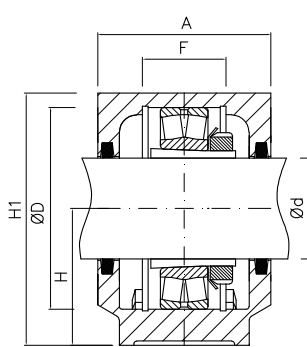
Plummer Block (split)

Series SNI 5 and SNI 6

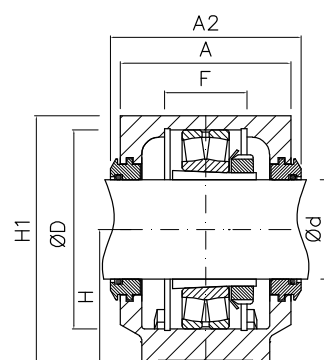
For self aligning ball bearings or spherical roller bearings with adapter sleeve



Housing with double lip seal



Housing with felt seal



Housing with labyrinth seal

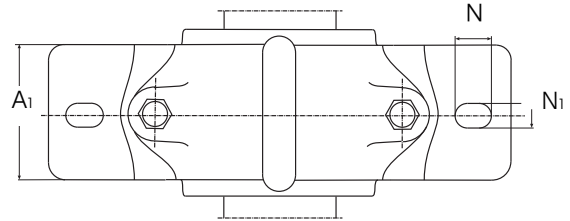
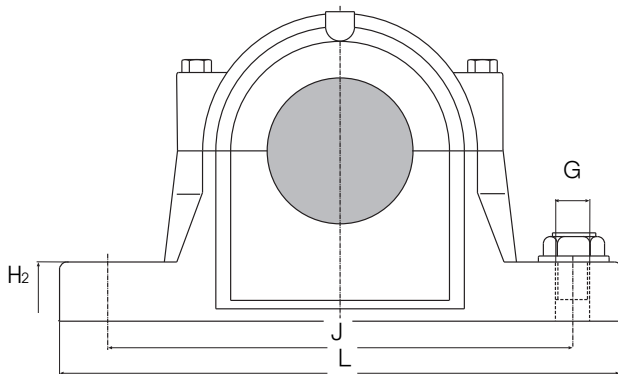
Reference Housing	Lip seal	Labyrinth seal	End cover	Housing with felt seal	End cover	Matching bearing with Adapter sleeve	Fixing ring Qty and ref No
SNI 506	LDZ 506	TS 6 SNI	DK 506 UA	SNI 506	DK 506 NA	1206 K H 206	2 x FR 8/62
						2206 K H 306	2 x FR 6/62
						22206 K H 306	2 x FR 6/62
SNI 507 - 606	LDZ 606	TS 606 SNI	DK 507 UA	SNI 606	DK 506 NA	1306 K H 306	2 x FR 7,5/72
						2306 K H 2306	2 x FR 3,5/72
SNI 507 - 606	LDZ 507	TS 7 SNI	DK 507 UA	SNI 507	DK 507 NA	1207 K H 207	2 x FR 8,5/72
						2207 K H 307	2 x FR 5,5/72
						22207 K H 307	2 x FR 5,5/72
SNI 508 - 607	LDZ 607	TS 607 SNI	DK 508 UA	SNI 607	DK 507 NA	1307 K H 307	2 x FR 9/80
						2307 K H 2307	2 x FR 4/80
SNI 508 - 607	LDZ 508	TS 8 SNI	DK 508 UA	SNI 508	DK 508 NA	1208 K H 208	2 x FR 10,5/80
						2208 K H 308	2 x FR 8/80
						22208 K H 308	2 x FR 8/80
SNI 510 - 608	LDZ 608	TSI 608	DK 510 UA	SNI 608	DK 508 NA	1308 K H 308	2 x FR 9/90
						2308 K H 2308	2 x FR 4/90
						21308 K H 308	2 x FR 9/90
SNI 509	LDZ 509	TS 9 SNI	DK 509 UA	SNI 509	DK 509 NA	1209 K H 209	2 x FR 5,5/85
						2209 K H 309	2 x FR 3,5/85
						22209 K H 309	2 x FR 3,5/85
SNI 511 - 609	LDZ 609	TS 609 SNI	DK 511 UA	SNI 609	DK 509 NA	1309 K H 309	2 x FR 9,5/100
						2309 K H 2309	2 x FR 4/100
						21309 K H 309	2 x FR 9,5/100
						22309 K H 2309	2 x FR 4/100
SNI 510 - 608	LDZ 510	TS 10 SNI	DK 510 UA	SNI 510	DK 510 NA	1210 K H 210	2 x FR 10,5/90
						2210 K H 310	2 x FR 9/90
						22210 K H 310	2 x FR 9/90
SNI 512 - 610	LDZ 610	TS 610 SNI	DK 512 UA	SNI 610	DK 610 NA	1310 K H 310	2 x FR 10,5/110
						2310 K H 2310	2 x FR 4/110
						21310 K H 310	2 x FR 10,5/110
						22310 K H 2310	2 x FR 4/110

* for other seals see on page 7

Plummer Block (split)

Series SNI 5 and SNI 6

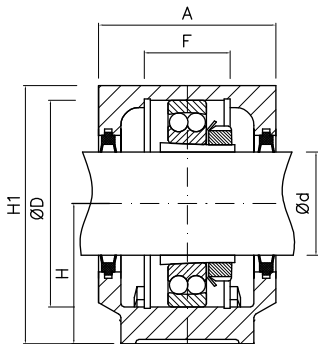
For self aligning ball bearings or spherical roller bearings with adapter sleeve



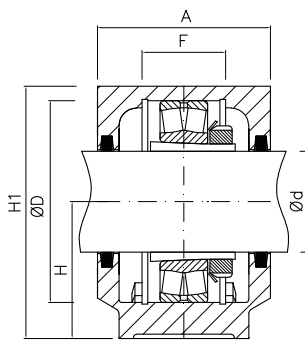
Housing Ref No	Weight kg	d ₁	D ^{H8}	H	H _i	A	L mm	A ₁	A ₂	H ₂	F	J	N ₁	N	G
SNI 511	4,5	50	100	70	127	95	255	70	105	28	44	210	18	24	M 16
SNI 611	6,5	50	120	80	148	110	275	80	120	30	51	230	18	24	M 16
SNI 512	5,0	55	110	70	133	105	255	70	115	30	48	210	18	24	M 16
SNI 612	7,0	55	130	80	154	115	280	80	125	30	56	230	18	24	M 16
SNI 513	6,5	60	120	80	148	110	275	80	120	30	51	230	18	24	M 16
SNI 613	9,8	60	140	95	175	120	315	90	130	32	58	260	22	28	M 20
SNI 515	7,0	65	130	80	154	115	280	80	125	30	56	230	18	24	M 16
SNI 615	12,5	65	160	100	191	140	345	100	150	35	65	290	22	28	M 20

Series SNI 5 and SNI 6

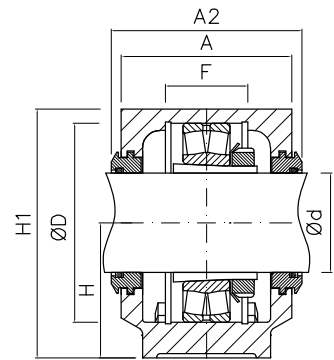
For self aligning ball bearings or spherical roller bearings with adapter sleeve



Housing with double lip seal



Housing with felt seal



Housing with labyrinth seal

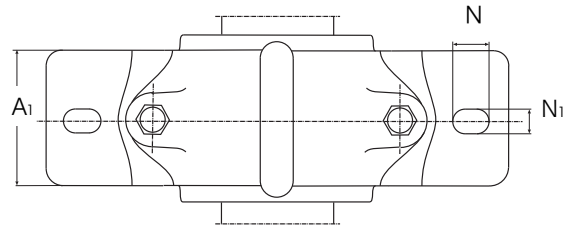
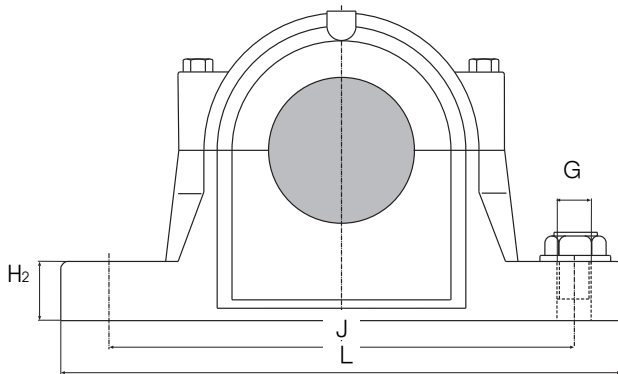
Reference Housing	Lip seal	Labyrinth seal	End cover	Housing with felt seal	End cover	Matching bearing with Adapter sleeve	Fixing ring Qty and ref No
SNI 511-609	LDZ 511	TS 11 SNI	DK 511 UA	SNI 511	DK 511 NA-510 UA	1211 K H 211	2 x FR 11,5/100
						2211 K H 311	2 x FR 9,5/100
						22211 K H 311	2 x FR 9,5/100
SNI 513-611	LDZ 611	TS 611 SNI	DK 513 UA	SNI 611	DK 511 NA-510 UA	1311 K H 311	2 x FR 11/120
						2311 K H 2311	2 x FR 4/120
						21311 K H 311	2 x FR 11/120
						22311 K H 2311	2 x FR 4/120
SNI 512-610	LDZ 512	TS 12 SNI	DK 512 UA	SNI 512	DK 512 NA-511 UA	1212 K H 212	2 x FR 13/110
						2212 K H 312	2 x FR 10/110
						22212 K H 312	2 x FR 10/110
SNI 515-612	LDZ 612	TS 612 SNI	DK 515 UA	SNI 612	DK 512 NA-511 UA	1312 K H 312	2 x FR 12,5/130
						2312 K H 2312	2 x FR 5/130
						21312 K H 312	2 x FR 12,5/130
						22312 K H 2312	2 x FR 5/130
SNI 513-611	LDZ 513	TS 13 SNI	DK 513 UA	SNI 513	DK 513 NA-512 UA	1213 K H 213	2 x FR 14/120
						2213 K H 313	2 x FR 10/120
						22213 K H 313	2 x FR 10/120
SNI 516-613	LDZ 613	TS 613 SNI	DK 516 UA	SNI 613	DK 513 NA-512 UA	1313 K H 313	2 x FR 12,5/140
						2313 K H 2313	2 x FR 5/140
						21313 K H 313	2 x FR 12,5/140
						22313 K H 2313	2 x FR 5/140
SNI 515-612	LDZ 515	TS 15 SNI	DK 515 UA	SNI 515	DK 515 NA-513 UA	1215 K H 215	2 x FR 15,5/130
						2215 K H 315	2 x FR 12,5/130
						22215 K H 315	2 x FR 12,5/130
SNI 518-615	LDZ 615	TS 615 SNI	DK 518 UA	SNI 615	DK 515 NA-513 UA	1315 K H 315	2 x FR 14/160
						2315 K H 2315	2 x FR 5/160
						21315 K H 315	2 x FR 14/160
						22315 K H 2315	2 x FR 5/160

* for other seals see on page 7

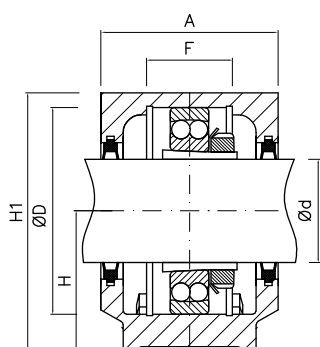
Plummer Block (split)

Series SNI 5 and SNI 6

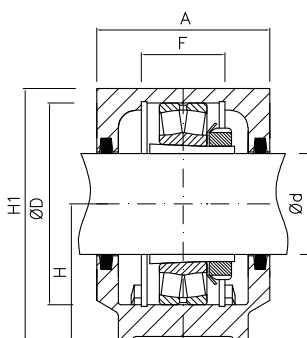
For self aligning ball bearings or spherical roller bearings with adapter sleeve



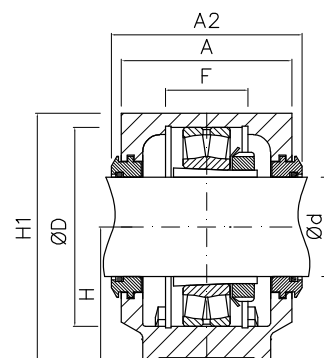
Housing Ref No	Weight kg	d_1	D^{H_2}	H	H_1	A	L mm	A_1	A_2	H_2	F	J	N_1	N	G
SNI 516	9,6	70	140	95	175	120	315	90	134	32	58	260	22	28	M 20
SNI 616	14,0	70	170	112	208	145	345	100	159	35	68	290	22	28	M 20
SNI 517	10,0	75	150	95	181	125	320	90	139	32	61	260	22	28	M 20
SNI 617	17,0	75	180	112	214	160	380	110	174	40	70	320	26	32	M 24
SNI 518	12,5	80	160	100	191	140	345	100	155	35	65	290	22	28	M 20
SNI 519	14,0	85	170	112	208	145	345	100	160	35	68	290	22	28	M 20
SNI 619	22,0	85	200	125	237	175	410	120	190	45	80	350	26	32	M 24



Housing with double lip seal



Housing with felt seal



Housing with labyrinth seal

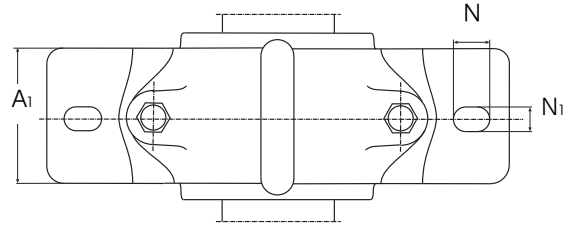
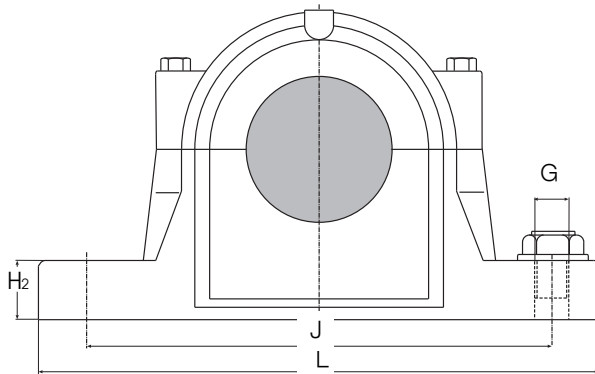
Reference Housing	Lip seal	Labyrinth seal	End cover	Housing with felt seal	End cover	Matching bearing with Adapter sleeve	Fixing ring Qty and ref No
SNI 516-613	LDZ 516	TS 16 SNI	DK 516 UA	SNI 516	DK 516 NA	1216 K H 216	2 x FR 16/140
						2216 K H 316	2 x FR 12,5/140
						22216 K H 316	2 x FR 12,5/140
SNI 519-616	LDZ 616	TS 616 SNI	DK 519 UA	SNI 616	DK 516 NA	1316 K H 316	2 x FR 14,5/170
						2316 K H 2316	2 x FR 5/170
						21316 K H 316	2 x FR 14,5/170
SNI 517	LDZ 517	TS 17 SNI	DK 517 UA	SNI 517	DK 517 NA-515 UA	1217 K H 217	2 x FR 16,5/150
						2217 K H 317	2 x FR 12,5/150
						22217 K H 317	2 x FR 12,5/150
SNI 520-617	LDZ 617	TS 617 SNI	DK 520 UA	SNI 617	DK 517 NA-515 UA	1317 K H 317	2 x FR 14,5/180
						2317 K H 2317	2 x FR 5/180
						21317 K H 317	2 x FR 14,5/180
SNI 518-615	LDZ 518	TS 18 SNI	DK 518 UA	SNI 518	DK 518 NA-516 UA	1218 K H 218	2 x FR 17,5/160
						2218 K H 318	2 x FR 12,5/160
						22218 K H 318	2 x FR 12,5/160
SNI 519-616	LDZ 519	TS 19 SNI	DK 519 UA	SNI 519	DK 519 NA-517 UA	1219 K H 219	2 x FR 18/170
						2219 K H 319	2 x FR 12,5/170
						22219 K H 319	2 x FR 12,5/170
SNI 522-619	LDZ 619	TS 619 SNI	DK 522 UA	SNI 619	DK 519 NA-517 UA	1319 K H 319	2 x FR 17,5/200
						2319 K H 2319	2 x FR 6,5/200
						21319 K H 319	2 x FR 17,5/200
						22319 K H 2319	2 x FR 6,5/200

* for other seals see on page 7

Plummer Block (split)

Series SNI 5 and SNI 6

For self aligning ball bearings or spherical roller bearings with adapter sleeve

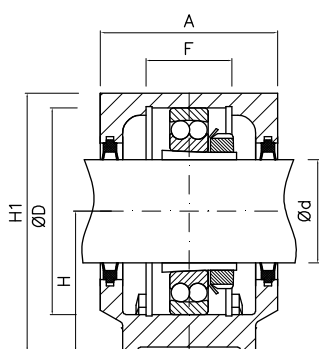


Housing Ref No	Weight kg	d ₁	D ^{H8}	H	H _i	A	L mm	A ₁	A ₂	H ₂	F	J	N ₁	N	G
SNI 520	17,0	90	180	112	214	160	380	110	175	40	70	320	26	32	M 24
SNI 620	26,0	90	215	140	271	185	410	120	200	45	86	350	26	32	M 24
SNI 522	22,0	100	200	125	237	175	410	120	190	45	80	350	26	32	M 24
SNI 524	26,0	110	215	140	271	185	410	120	199	45	86	350	26	32	M 24
SNI 526	32,0	115	230	150	290	190	445	130	205	50	90	380	28	35	M 24
SNI 528	42,0	125	250	150	302	205	500	150	220	50	98	420	35	42	M 30
SNI 530	50,0	135	270	160	323	220	530	160	235	60	106	450	35	42	M 30
SNI 532	56,0	140	290	170	344	235	550	160	250	60	114	470	35	42	M 30

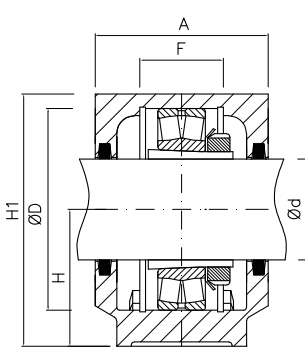
Plummer Block (split)

Series SNI 5 and SNI 6

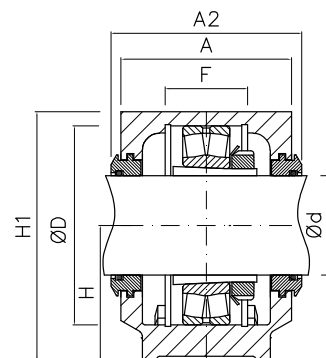
For self aligning ball bearings or spherical roller bearings with adapter sleeve



Housing with double lip seal



Housing with felt seal



Housing with labyrinth seal

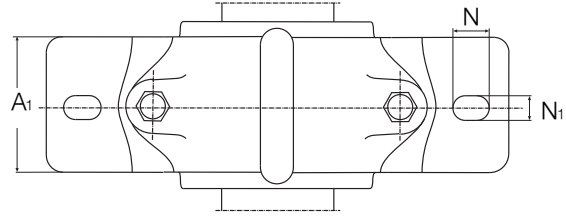
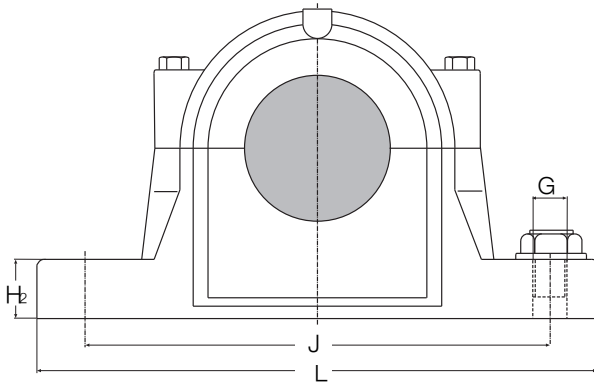
Reference Housing	Lip seal	Labyrinth seal	End cover	Housing with felt seal	End cover	Matching bearing with Adapter sleeve	Fixing ring Qty and ref No
SNI 520-617	LDZ 520	TS 20 SNI	DK 520 UA	SNI 520	DK 520 NA-518 UA	1220 K H 220	2 x FR 18/180
						2220 K H 320	2 x FR 12/180
						22220 K H 320	2 x FR 12/180
						23220 K H 2320	2 x FR 4,85/180
SNI 524-620	LDZ 620	TS 620 SNI	DK 524 UA	SNI 620	DK 520 NA-518UA	1320 K H 320	2 x FR 19,5/215
						2320 K H 2320	2 x FR 6,5/215
						21320 K H 320	2 x FR 19,5/215
						22320 K H 2320	2 x FR 6,5/215
SNI 522-619	LDZ 522	TS 22 SNI	DK 522 UA	SNI 522	DK 522 NA	1222 K H 222	2 x FR 21/200
						2222 K H 322	2 x FR 13,5/200
						22222 K H 322	2 x FR 13,5/200
						23222 K H 2322	2 x FR 5,1/200
SNI 524-620	LDZ 524	TS 24 SNI	DK 524 UA	SNI 524	DK 524 NA	22224 K H 3124	2 x FR 14/215
						23224 K H 2324	2 x FR 5/215
SNI 526	LDZ 526	TS 26 SNI	DK 526 UA	SNI 526	DK 526 NA-519 UA	22226 K H 3126	2 x FR 13/230
						23226 K H 2326	2 x FR 5/230
SNI 528	LDZ 528	TS 28 SNI	DK 528 UA	SNI 528	DK 528 NA-522 UA	22228 K H 3128	2 x FR 15/250
						23228 K H 2328	2 x FR 5/250
SNI 530	LDZ 530	TS 30 SNI	DK 530 UA	SNI 530	DK 530 NA-524 UA	22230 K H 3130	2 x FR 16,5/270
						23230 K H 2330	2 x FR 5/270
SNI 532	LDZ 532	TS 32 SNI	DK 532 UA	SNI 532	DK 532 NA-526 UA	22232 K H 3132	2 x FR 17/290
						23232 K H 2332	2 x FR 5/290

* for other seals see on page 7

Plummer Block (split)

Series SNI 2 and SNI 3

For self-aligning ball bearings or spherical roller bearings
with cylindrical bore



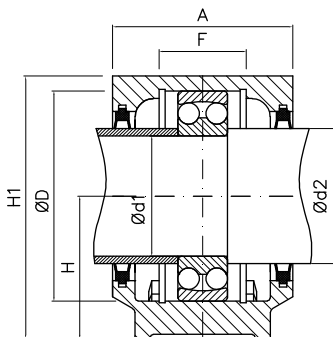
Housing Ref No	Weight kg	d ₁	d ₂	D ^{H8}	H	H _i	A mm	L	A ₁	A ₂	H ₂	F	J	N ₁	N	G
SNI 208	2,8	40	50	80	60	105	86	205	60	94	25	39	170	15	20	M 12
SNI 308	3,1	40	50	90	60	110	96	205	60	104	25	41	170	15	20	M 12
SNI 209	2,9	45	55	85	60	110	86	205	60	96	25	30	170	15	20	M 12
SNI 309	4,5	45	55	100	70	128	108	255	70	118	28	44	210	18	24	M 16
SNI 210	3,1	50	60	90	60	113	92	205	60	102	25	41	170	15	20	M 12
SNI 310	5,0	50	60	110	70	132	118	255	70	128	30	48	210	18	24	M 16

Plummer Block (split)

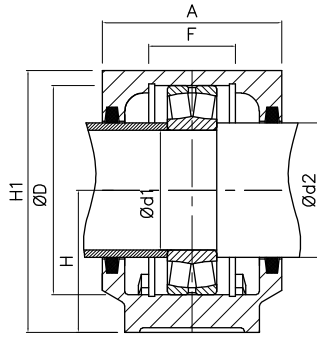
Series SNI 2 and SNI 3

For self-aligning ball bearings or spherical roller bearings with cylindrical bore

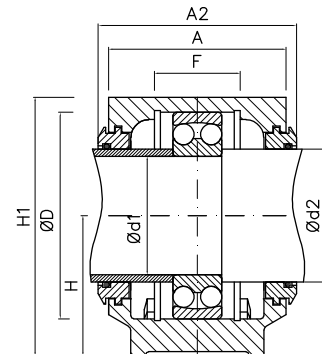
(distance sleeves are not included in delivery)



Housing with double lip seal



Housing with felt seal



Housing with labyrinth seal

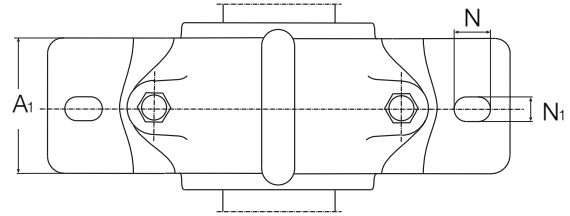
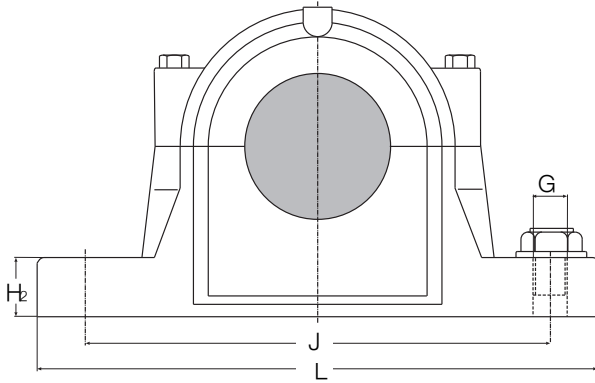
Reference Housing	Lip seal	Labyrinth seal	End cover	Housing with felt seal	End cover	Matching bearing	Fixing ring Qty and ref No
SNI 208	LDZ 208	TS 208 SNI	DK 510 UA	SNI 208	DK 511 NA-510 UA	1208	2 x FR 10,5/80
						2208	2 x FR 8/80
						22208	2 x FR 8/80
SNI 510-608	LDZ 308	TS 308 SNI	DK 510 UA	SNI 308	DK 511 NA-510 UA	1308	2 x FR 9/90
						2308	2 x FR 4/90
						21308	2 x FR 9/90
						22308	2 x FR 4/90
SNI 209	LDZ 209	TS 209 SNI	DK 511 UA	SNI 209	DK 512 NA-511 UA	1209	2 x FR 5,5/85
						2209	2 x FR 3,5/85
						22209	2 x FR 3,5/85
SNI 511-609	LDZ 309	TS 309 SNI	DK 511 UA	SNI 309	DK 512 NA-511 UA	1309	2 x FR 9,5/100
						2309	2 x FR 4/100
						21309	2 x FR 9,5/100
						22309	2 x FR 4/100
SNI 210	LDZ 210	TS 210 SNI	DK 512 UA	SNI 210	DK 513 NA-512 UA	1210	2 x FR 10,5/90
						2210	2 x FR 9/90
						22210	2 x FR 9/90
SNI 512-610	LDZ 310	TS 310 SNI	DK 512 UA	SNI 310	DK 513 NA-512 UA	1310	2 x FR 10,5/110
						2310	2 x FR 4/110
						21310	2 x FR 10,5/110
						22310	2 x FR 4/110

* for other seals see on page 7

Plummer Block (split)

Series SNI 2 and SNI 3

For self-aligning ball bearings or spherical roller bearings
with cylindrical bore



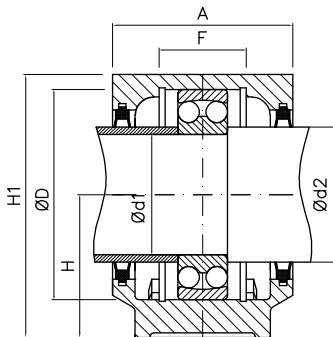
Housing RefNo	Weight kg	d ₁	d ₂	D ^H	H	H ₁	A mm	L	A ₁	A ₂	H ₂	F	J	N ₁	N	G
SNI 211	4,5	55	65	100	70	127	95	255	70	105	28	44	210	18	24	M 16
SNI 311	6,5	55	65	120	80	148	110	275	80	120	30	51	230	18	24	M 16
SNI 212	5,0	60	70	110	70	133	105	255	70	115	30	48	210	18	24	M 16
SNI 312	7,0	60	70	130	80	154	115	280	80	125	30	56	230	18	24	M 16
SNI 213	6,5	65	75	120	80	148	110	275	80	120	30	51	230	18	20	M 16
SNI 313	9,8	65	75	140	95	175	120	315	90	130	32	58	260	22	28	M 20
SNI 215	7,0	75	85	130	80	154	115	280	80	125	30	56	230	18	24	M 16
SNI 315	12,5	75	85	160	100	191	140	345	100	150	35	65	290	22	28	M 20

Plummer Block (split)

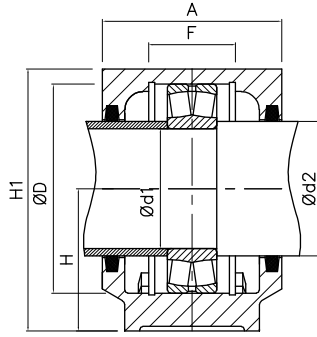
Series SNI 2 and SNI 3

For self-aligning ball bearings or spherical roller bearings
with cylindrical bore

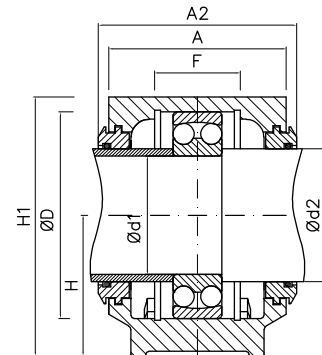
(distance sleeves are not included in delivery)



Housing with double lip seal



Housing with felt seal



Housing with labyrinth seal

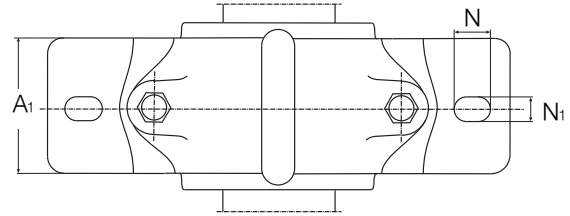
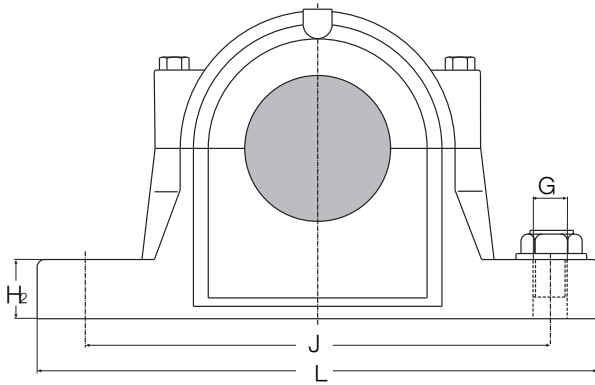
Reference Housing	Lip seal	Labyrinth seal	End cover	Housing with felt seal	End cover	Matching bearing	Fixing ring Qty and ref No
SNI 211	LDZ 211	TS 211 SNI	DK 513 UA	SNI 211	DK 515 NA-513 UA	1211	2 x FR 11,5/100
						2211	2 x FR 9,5/100
						22211	2 x FR 9,5/100
SNI 513-611	LDZ 311	TS 311 SNI	DK 513 UA	SNI 311	DK 515 NA-513 UA	1311	2 x FR 11/120
						2311	2 x FR 4/120
						21311	2 x FR 11/120
						22311	2 x FR 4/120
SNI 212	LDZ 212	TS 212 SNI	DK 515 UA	SNI 212	DK 516 NA	1212	2 x FR 13/110
						2212	2 x FR 10/110
						22212	2 x FR 10/110
SNI 515-612	LDZ 312	TS 312 SNI	DK 515 UA	SNI 312	DK 516 NA	1312	2 x FR 12,5/130
						2312	2 x FR 5/130
						21312	2 x FR 12,5/130
						22312	2 x FR 5/130
SNI 213	LDZ 213	TS 213 SNI	DK 516 UA	SNI 213	DK 517 NA-515 UA	1213	2 x FR 14/120
						2213	2 x FR 10/120
						22213	2 x FR 10/120
SNI 516-613	LDZ 313	TS 313 SNI	DK 516 UA	SNI 313	DK 517 NA-515 UA	1313	2 x FR 12,5/140
						2313	2 x FR 5/140
						21313	2 x FR 12,5/140
						22313	2 x FR 5/140
SNI 215	LDZ 215	TS 215 SNI	DK 518 UA	SNI 215	DK 519 NA-517 UA	1215	2 x FR 15,5/130
						2215	2 x FR 12,5/130
						22215	2 x FR 12,5/130
SNI 518-615	LDZ 315	TS 315 SNI	DK 518 UA	SNI 315	DK 519 NA-517 UA	1315	2 x FR 14/160
						2315	2 x FR 5/160
						21315	2 x FR 14/160
						22315	2 x FR 5/160

* for other seals see on page 7

Plummer Block (split)

Series SNI 2 and SNI 3

For self-aligning ball bearings or spherical roller bearings
with cylindrical bore



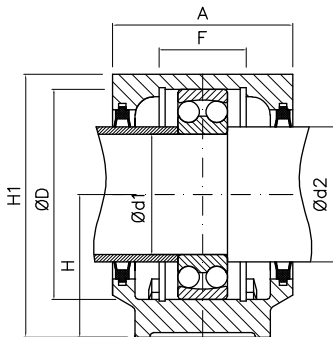
Housing Ref No	Weight kg	d ₁	d ₂	D ^B	H	H _i	A mm	L	A ₁	A ₂	H ₂	F	J	N ₁	N	G
SNI 216	9,6	80	90	140	95	175	120	315	90	134	32	58	260	22	28	M 16
SNI 316	14,0	80	90	170	112	208	145	345	100	159	35	68	290	22	28	M 16
SNI 217	10,0	85	95	150	95	181	125	320	90	139	32	61	260	22	28	M 16
SNI 317	17,0	85	95	180	112	214	160	380	110	174	40	70	320	26	32	M 16
SNI 218	12,5	90	100	160	100	191	140	345	100	155	35	65	290	22	28	M 16
SNI 219	14,0	95	110	170	112	208	145	345	100	160	35	68	290	22	28	M 16
SNI 319	22,0	95	110	200	125	237	175	410	120	190	45	80	350	26	32	M 20

Plummer Block (split)

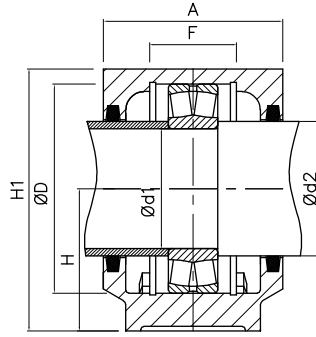
Series SNI 2 and SNI 3

For self-aligning ball bearings or spherical roller bearings with cylindrical bore

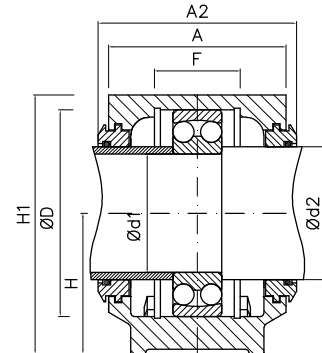
(distance sleeves are not included in delivery)



Housing with double lip seal



Housing with felt seal



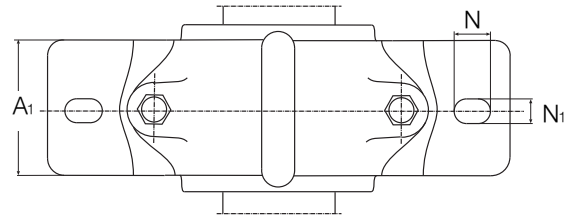
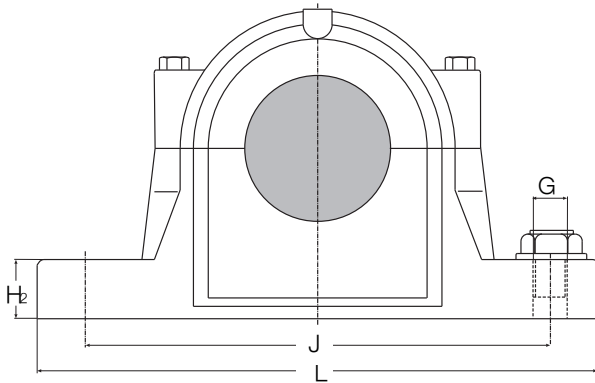
Housing with labyrinth seal

Reference Housing	Lip seal	Labyrinth seal	End cover	Housing with felt seal	End cover	Matching bearing	Fixing ring Qty and ref No
SNI 216	LDZ 216	TS 216 SNI	DK 216 UA	SNI 216	DK 520 NA-518 UA	1216	2 x FR 16/140
						2216	2 x FR 12,5/140
						22216	2 x FR 12,5/140
SNI 519-616	LDZ 316	TS 316 SNI	DK 519 UA	SNI 316	DK 520 NA-518 UA	1316	2 x FR 14,5/170
						2316	2 x FR 5/170
						21316	2 x FR 14,5/170
SNI 217	LDZ 217	TS 217 SNI	DK 217 UA	SNI 217		1217	2 x FR 16,5/150
						2217	2 x FR 12,5/150
						22217	2 x FR 12,5/150
SNI 520-617	LDZ 317	TS 317 SNI	DK 520 UA	SNI 317		1317	2 x FR 14,5/180
						2317	2 x FR 5/180
						21317	2 x FR 14,5/180
SNI 218	LDZ 218	TS 218 SNI	DK 218 UA	SNI 218	DK 522 NA	1218	2 x FR 17,5/160
						2218	2 x FR 12,5/160
						22218	2 x FR 12,5/160
SNI 519-616	LDZ 219	TS 219 SNI	DK 519 UA	SNI 219	DK 524 NA	1219	2 x FR 18/170
						2219	2 x FR 12,5/170
						22219	2 x FR 12,5/170
SNI 522-619	LDZ 319	TS 319 SNI	DK 522 UA	SNI 319	DK 524 NA	1319	2 x FR 17,5/200
						2319	2 x FR 6,5/200
						21319	2 x FR 17,5/200
						22319	2 x FR 6,5/200

Plummer Block (split)

Series SNI 2 and SNI 3

For self-aligning ball bearings or spherical roller bearings
with cylindrical bore



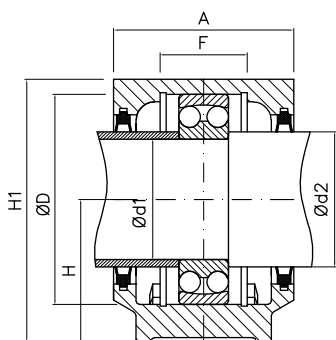
Housing Ref No	Weight kg	d ₁	d ₂	D ^B	H	H _i	A mm	L	A ₁	A ₂	H ₂	F	J	N ₁	N	G
SNI 220	17,0	100	115	180	112	214	160	380	110	175	40	70	320	26	32	M 24
SNI 320	26,0	100	115	215	140	271	185	410	120	200	45	86	350	26	32	M 24
SNI 222	22,0	110	125	200	125	237	175	410	120	190	45	80	350	26	32	M 24
SNI 224	26,0	120	135	215	140	271	185	410	120	199	45	86	350	26	32	M 24
SNI 226	32,0	130	145	230	150	290	190	445	130	205	50	90	380	28	35	M 24
SNI 228	42,0	140	155	250	150	302	205	500	150	220	50	98	420	35	42	M 30
SNI 230	50,0	150	165	270	160	323	220	530	160	235	60	106	450	35	42	M 30
SNI 232	56,0	160	175	290	170	344	235	550	160	250	60	114	470	35	42	M 30

Plummer Block (split)

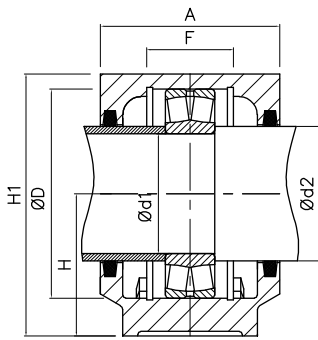
Series SNI 2 and SNI 3

For self-aligning ball bearings or spherical roller bearings with cylindrical bore

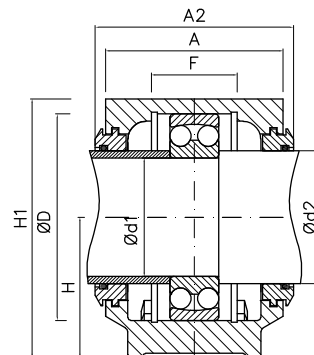
(distance sleeves are not included in delivery)



Housing with double lip seal



Housing with felt seal



Housing with labyrinth seal

Reference Housing	Lip seal	Labyrinth seal	End cover	Housing with felt seal	End cover	Matching bearing	Fixing ring Qty and ref No
SNI 520-617	LDZ 220	TS 220 SNI	DK 520 UA	SNI 220	DK 526 NA-519 UA	1220	2 x FR 18/180
						2220	2 x FR 12/180
						22220	2 x FR 12/180
						23220	2 x FR 4,85/180
SNI 524-620	LDZ 320	TS 320 SNI	DK 524 UA	SNI 320	DK 526 NA-519 UA	1320	2 x FR 19,5/215
						2320	2 x FR 6,5/215
						21320	2 x FR 19,5/215
						22320	2 x FR 6,5/215
SNI 522-619	LDZ 222	TS 222 SNI	DK 522 UA	SNI 222	DK 528 NA-522 UA	1222	2 x FR 21/200
						2222	2 x FR 13,5/200
						22222	2 x FR 13,5/200
						23222	2 x FR 5,1/200
SNI 524-620	LDZ 224	TS 224 SNI	DK 524 UA	SNI 224	DK 530 NA-524 UA	22224	2 x FR 14/215
						23224	2 x FR 5/215
SNI 226	LDZ 226	TS 226 SNI	DK 526 UA	SNI 226		22226	2 x FR 13/230
						23226	2 x FR 5/230
SNI 528	LDZ 228	TS 228 SNI	DK 528 UA	SNI 228		22228	2 x FR 15/250
						23228	2 x FR 5/250
SNI 530	LDZ 230	TS 230 SNI	DK 530 UA	SNI 230		22230	2 x FR 16,5/270
						23230	2 x FR 5/270
SNI 532	LDZ 232	TS 232 SNI	DK 532 UA	SNI 232		22232	2 x FR 17/290
						23232	2 x FR 5/290

* for other seals see on page 7